

Appendix A. Drawings

Inches [mm]

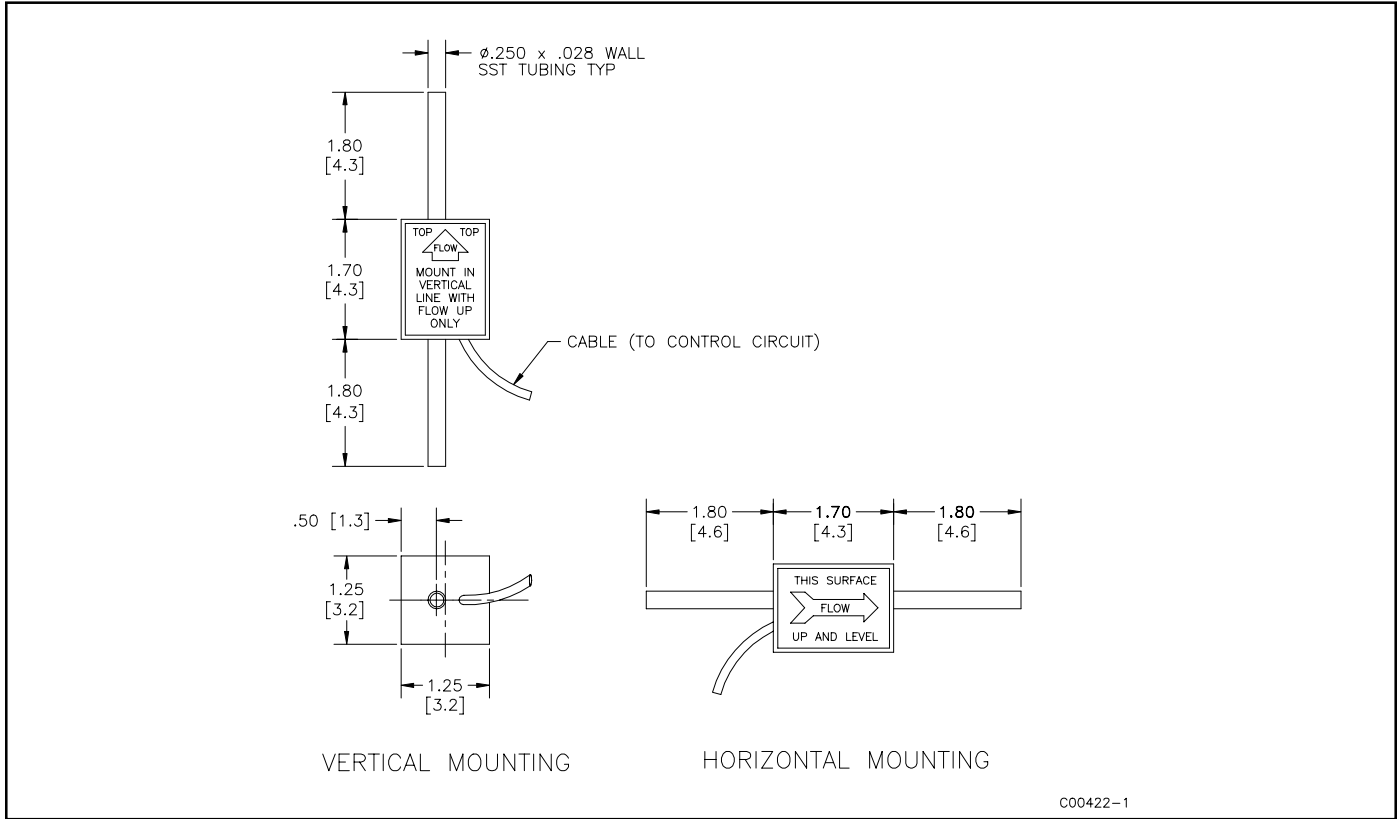


Figure A-1. Flow Element Dimensional View

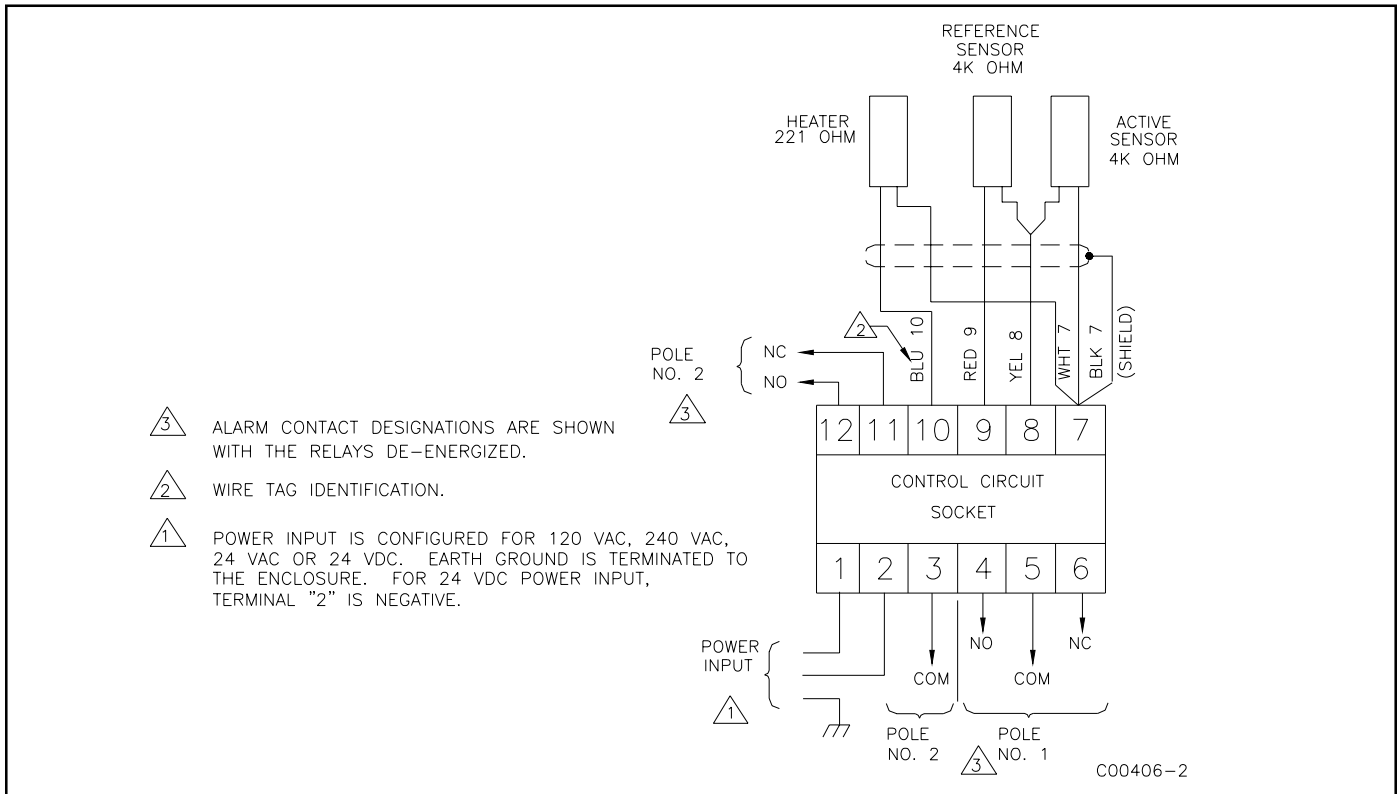


Figure A-2. Wiring Diagram

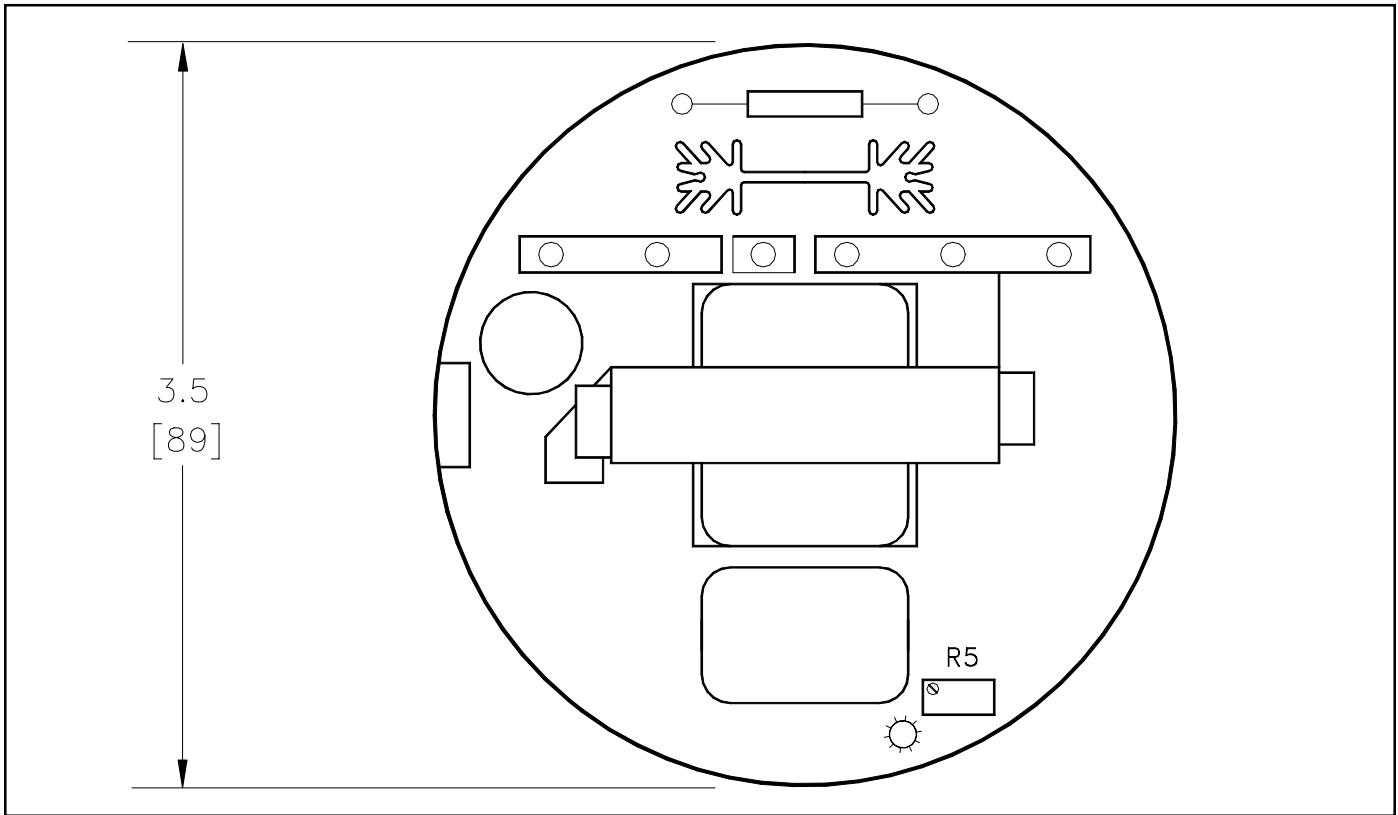


Figure A-3. 5181 Control Circuit

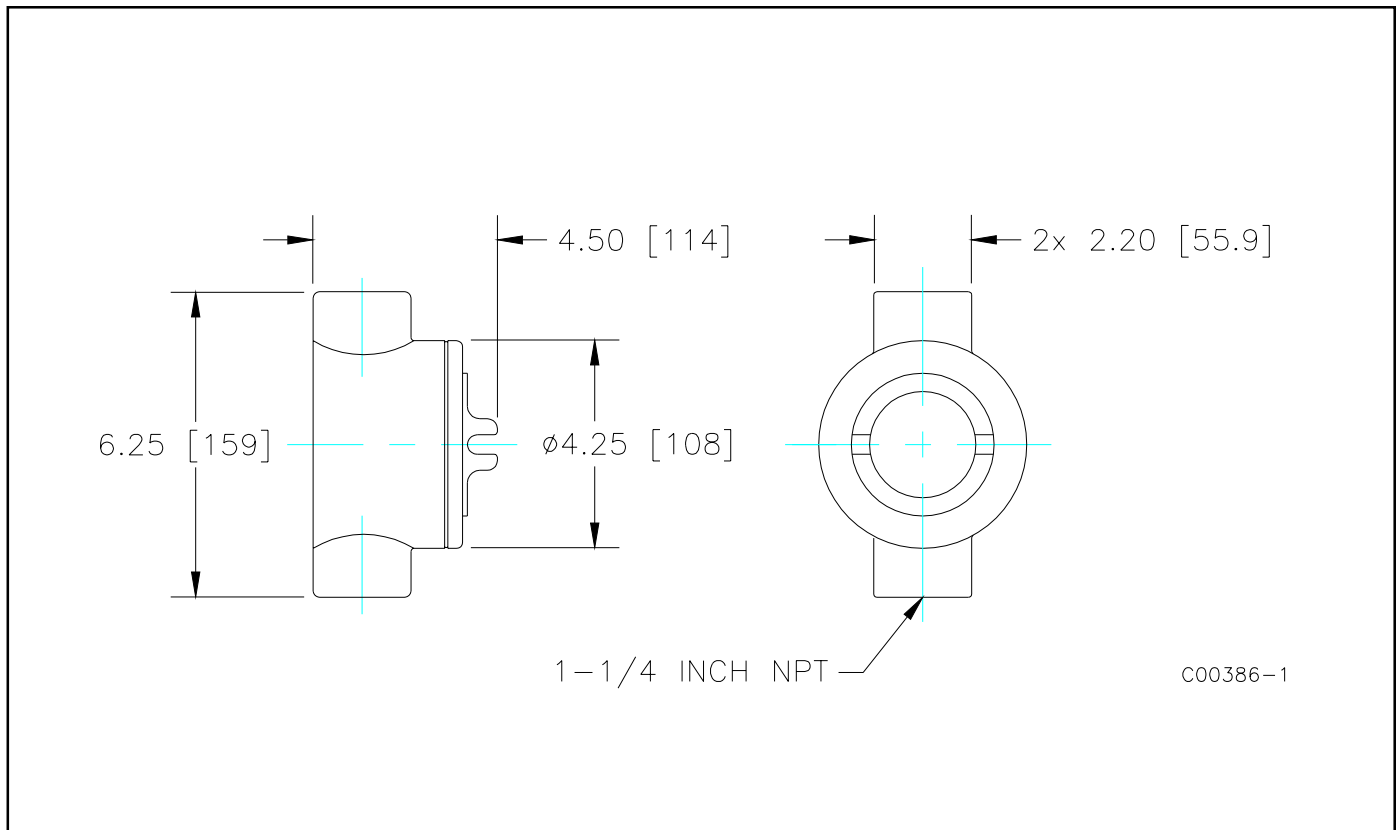


Figure A-4. Optional Remote Enclosure NEMA Type 4 (Feraloy® Epoxy Coated)