



VORTAB Flow Conditioner Installation and Operation Guide

General

This document describes the procedures required to install, and maintain the Vortab Insertion Panel (VIP), Vortab Insertion Sleeve (VIS), Vortab Meter Run (VMR), Vortab Short Run (VSR), Vortab Elbow (VEL) and Vortab Field Kit (VFK) Flow Conditioners.

In Industrial installations, process plants are designed to minimize floor space. Abbreviated floor space can result in inadequate short runs of straight pipe required upstream from flow meters, pumps, compressors and other critical components used in the process industries. The resulting flow disturbances increase flow meter error, and can induce cavitation and noise in pumps, which results in excessive wear and damage.

A flow conditioner isolates flow disturbances by providing a consistent outlet flow condition regardless of inlet conditions. Because of its unique tab design, the Vortab flow conditioner is able to provide excellent flow meter isolation, yet it creates very little pressure loss and is virtually immune to fouling.

Vortab flow conditioners come in six basic forms: Vortab Insertion Panel (VIP), Insertion Sleeve (VIS), Meter Run (VMR), Short Run (VSR), Elbow configuration (VEL), or Field Kit (VFK). The VIP can be configured to slide into an existing process pipe or duct and welded in place, or offered as a flange mount version to be captured between flange faces. The VIS is sized to slide into the existing process pipe or duct. It can be welded in place or secured with optional capture flange between flanges faces. The VMR spool piece includes the Vortab flow conditioning internals as well as the recommended settling distance for downstream flow meters. The VSR is a stand-alone pipe section 3 pipe diameters (3D) in length that includes only the flow conditioning internals. The VEL elbow flow conditioner can be short or long radius with a vast array of process connections and downstream metering connections. The VFK includes all the Vortab flow conditioning internals and fabrication instructions required for assembly in the field.

Theory of Operation

Vortab flow conditioners are passive mechanical devices, which effectively establish a repeatable, symmetric, and swirl free velocity profile regardless of the fluid's inlet condition. These conditioners use vortex generating tabs to amplify and accelerate the boundary layer behavior of long pipe. The basic principles involved are vorticity generation, force cancellation, and diffusion.

For flow meters, the Vortab flow conditioners are capable of producing uniform, non-swirling velocity profiles within three to four pipe diameters (3D to 4D) downstream from the Vortab. Depending on the severity of the downstream disturbance, one to five diameters (1D to 5D) of straight pipe are required after the flow meter location. Figure 1-1 illustrates typical Vortab installations upstream from flow meters. For pumps, compressors, control valves and other critical process equipment, the Vortab flow conditioners can be mounted directly to their downstream components. Figure 1-2 illustrates typical installations upstream from pumps and compressors.

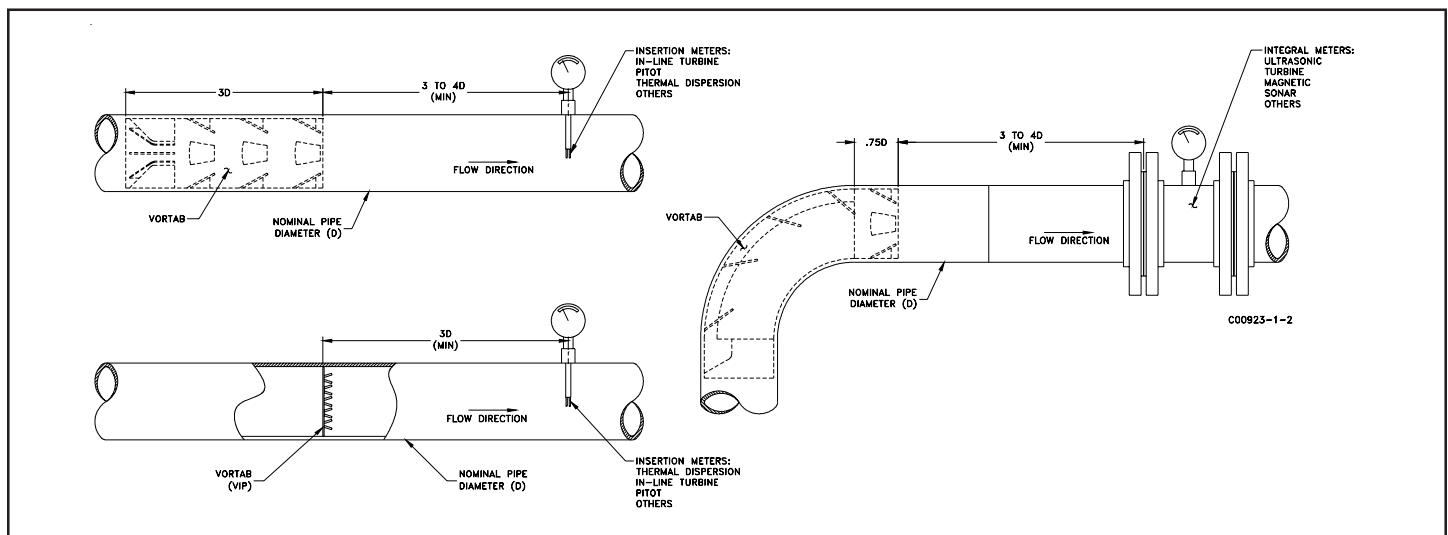


Figure 1-1. Typical Vortab Installation with Flowmeters

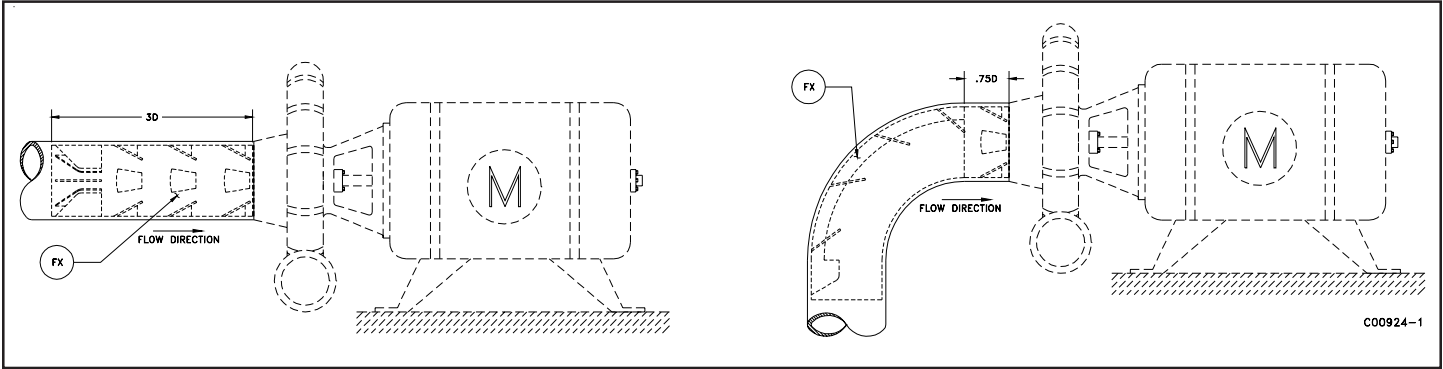


Figure 1-2. Typical Vortab Installation with Pumps/Compressors

Technical Specifications

Vortab Insertion Panel (VIP)

Process Pipe or Duct Inside Diameter

Available sizes: 2 inch to 40 inch
Available in larger sizes (special)

Material of construction

316L Stainless Steel

Length

Tabs extend into downstream flow conduit a distance of .135 x conduit's inner diameter.

Process Connection

Capture Flange mounted or Weld-In-Place inside duct or pipe inner diameter.

Vortab Insertion Sleeve (VIS)

Process Pipe or Duct Inside Diameter

Customer specified inner diameter
Available in sizes: .87 inch and higher
Also available in ¼, ½, and ¾ sch 40 sizes

Material of construction

316L SST & Hastelloy C-276 for all sizes
Carbon steel for sizes 4.51 inch and higher

Outside Diameter

Outside diameter is undersized to fit the process pipe inside diameter

Length

Approximately 3 times the customer ID

Process Connection

Capture flange or welded to the pipe or duct inside diameter

Vortab Meter Run (VMR)

Pipe size

Available in ¼, ½, and ¾ sch 40
1" (various schedules)
2" and above all pipe schedules

Material of construction

316L SST and Hastelloy C-276 throughout for all sizes
Carbon steel 8 inch and above
Also available with 316L SST body and carbon steel flanges for all sizes

Length

7 nominal pipe diameters (7D)
Exception: Line sizes 2-inch and smaller, which may have longer lengths than 7D. Consult factory for specific lengths.

Process Connection

Butt weld preparation, male NPT, flanged or customer specified

Flow Element Connection For Flowmeter Installation

Threaded ¾, 1, or 1-1/4 inch female NPT, 1-1/4 inch NPT, 1-1/2 inch flanged, or customer specified

Vortab Short Run (VSR)

Pipe size

Available in ¼, ½, and ¾ sch 40
1" (various schedules)
2" and above all pipe schedules

Material of construction

316L SST and Hastelloy C-276 throughout for all sizes
Carbon steel 8 inch and above
Also available with 316L SST body and carbon steel flanges for all sizes

Length

3 nominal pipe diameters (3D)

Process Connection

Butt weld preparation, male NPT, flanged or customer specified

Vortab Elbow (VEL)

Pipe size

1" and higher
Smaller sizes available upon request

Material of construction

316L SST, Hastelloy C-276, and carbon steel for all sizes

Elbow Radius

Short and Long radius

Process Connection

Butt weld preparation, male NPT, flanged or customer specified

Flow Element Connection For Flowmeter Installation

Threaded ¾, 1, or 1-1/4 inch female NPT, 1-1/4 inch NPT, 1-1/2 inch flanged, or customer specified

Vortab Field Kit (VFK)

Material of construction

316L SST, Hastelloy C-276, and carbon steel
Other materials available upon request

Process Pipe or Duct Inner Diameter

Customer specified

Length

Approximately 3 times the customer ID

Attachment Method

Welded in the field. Fabrication and welding instructions provided

Installation - General

Receiving and Inspection

- Inspect for damage
- Packing List – verify correct configuration against purchase order. At a minimum, Vortab Company's customer order number along with flow direction indicators will be etched on all products.
- If the above items are satisfactory then proceed with installation. If not, then STOP and contact the field representative or the factory personnel for instructions.

There may be an additional sizing ring accompanying the Vortab Insertion Sleeve (VIS) in the shipping container. This is used to verify roundness and diameter during fabrication. It may be needed to facilitate installation in the following sections. The sizing ring can be discarded upon completion of the VIS installation.

Vortab Insertion Panel (VIP) Installation

Prepare the installation site or inspect the already prepared location to assure that the VIP will fit into the process pipe or duct.

- Verify that the VIP matches the geometry and dimensions of the intended process pipe mount.
- The VIP's base plate, in which the tabs extend from, should be positioned at a minimum distance of three nominal pipe diameters (3D) upstream from the flow meter location. See Figure 2-1.

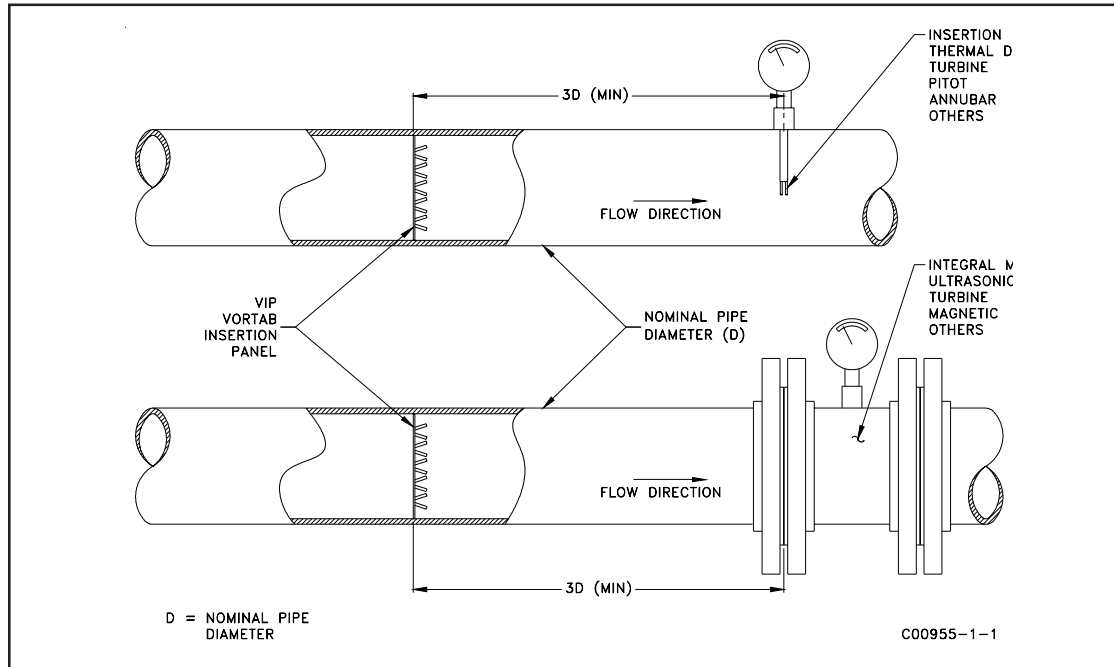


Figure 2-1. VIP Installation Recommendations

Flange Mount VIP

The flange-mounted VIP will appear one of two ways. Refer to Figure 2-2. For sizes below 24.40-inches (620 mm) there will be one orientation tab and one orientation handle 180° offset from each other. For sizes 24.40" and above there will be two orientation tabs offset 180° from each other.

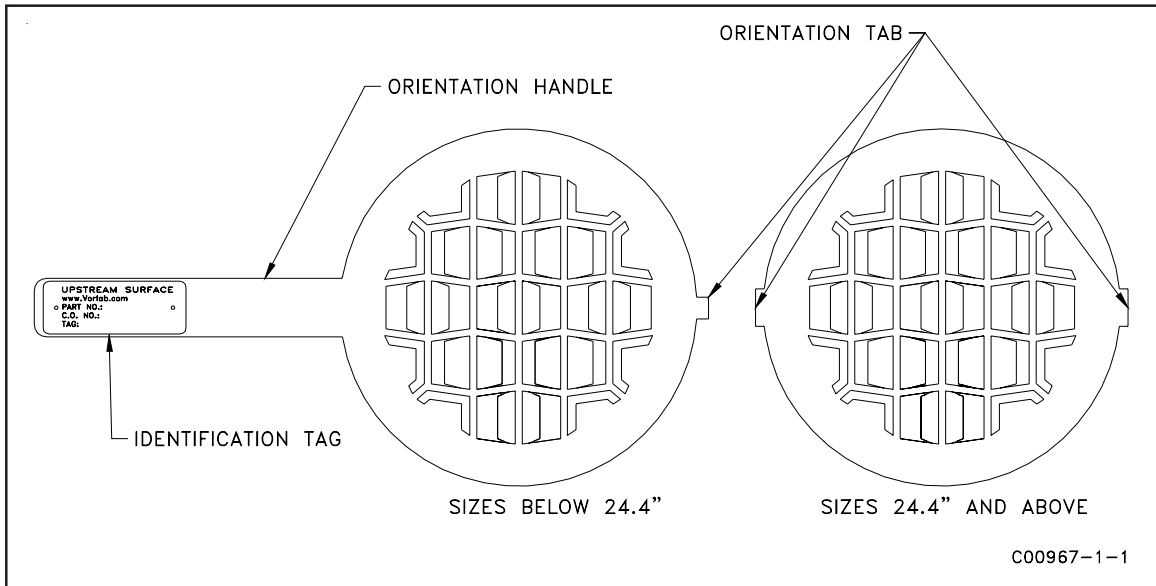
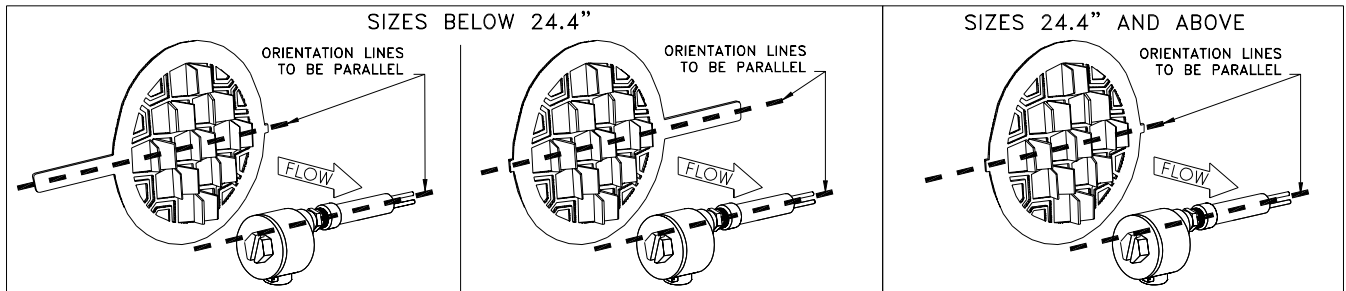


Figure 2-2. Upstream Views of Flange Mount VIP

Orientation of the VIP with respect to an insertion flow meter is important. Refer to Figure 2-3 for both correct and incorrect installations of the VIP with respect to an insertion flow meter. An imaginary line passing through the two orientation tabs and/or orientation handle should be parallel to the flow meter's sensing element.

CORRECT INSTALLATION



INCORRECT INSTALLATION

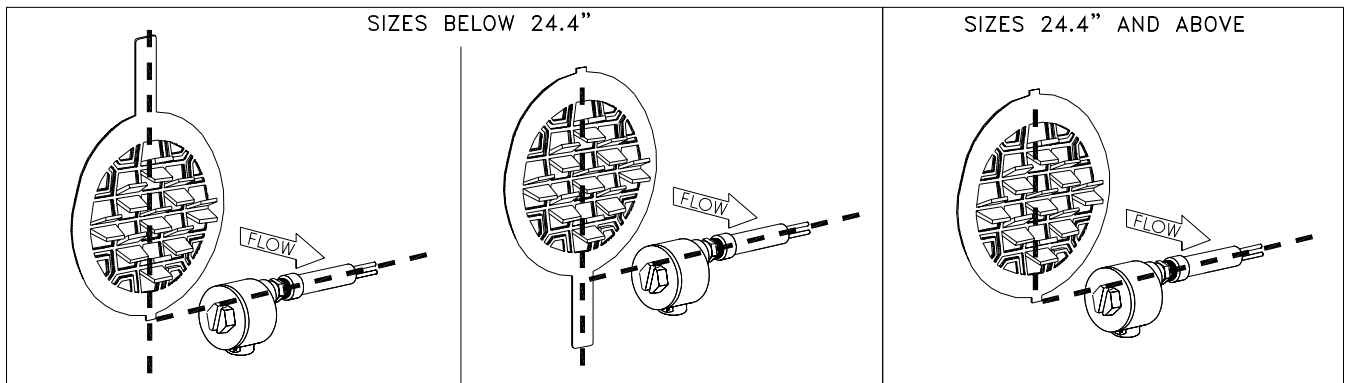


Figure 2-3. Orientation of Flange Mount VIP

C00968-1-1

When using the VIP upstream from flow meters other than FCI insert flow meters, whether it be in insert or flange mounted, such as turbine, annubar, and ultrasonic flow meters, orientation is not critical but should mimic that which was calibrated. The VIP should be positioned upstream from the flow meter in the orientation and distance in which it was calibrated.

The VIP is secured in place by way of sandwiching between flange faces. This will require two customer-supplied gaskets of which one will be placed on each side of the VIP prior to installation. See Figure 2-4. The orientation tabs and/or orientation handle can be used to facilitate symmetric installation of the VIP. Bolt flanges together to complete the installation.

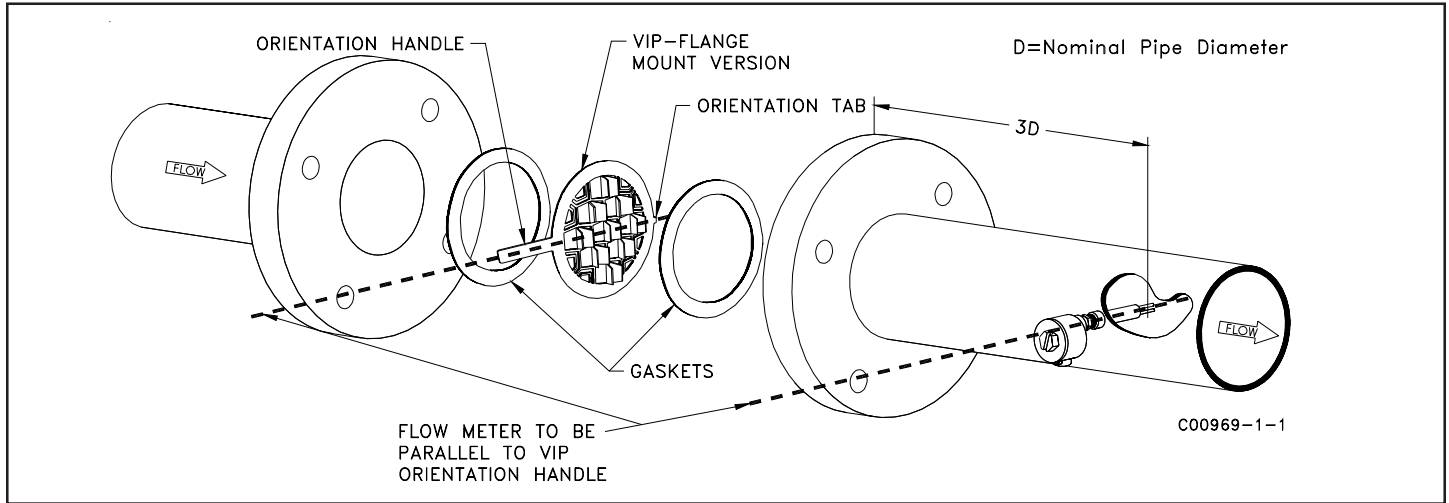
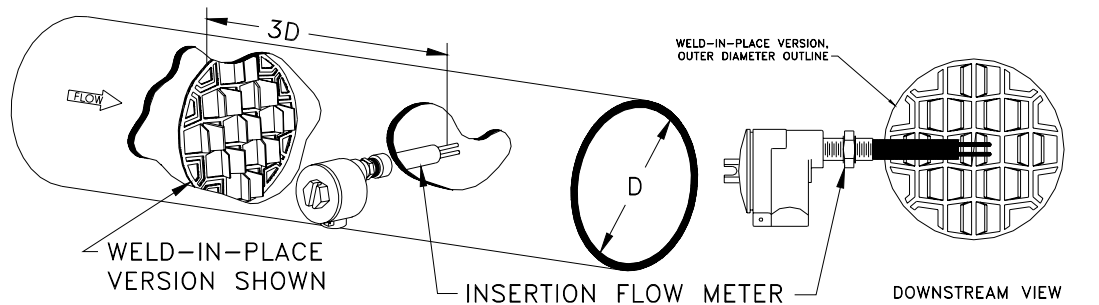


Figure 2-4. Installation and Orientation of Flange Mount VIP

Weld-In-Place VIP

Orientation of the VIP with respect to an insertion flow meter is important. Refer to Figure 2-5 for both correct and incorrect installations of the weld in place VIP with respect to an insertion flow meter.

CORRECT INSTALLATION



C00970-1-1

INCORRECT INSTALLATION

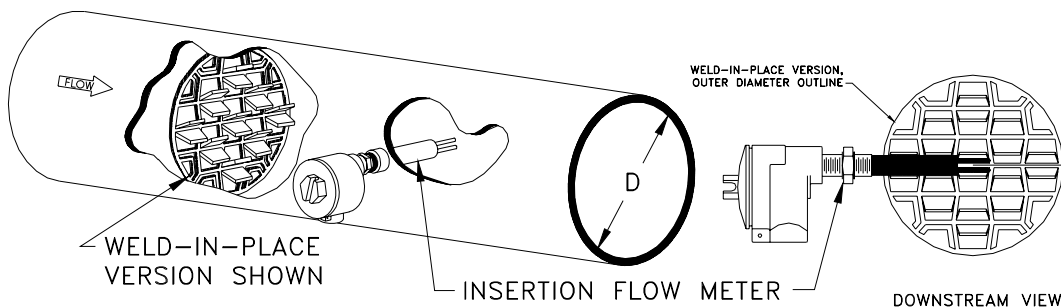
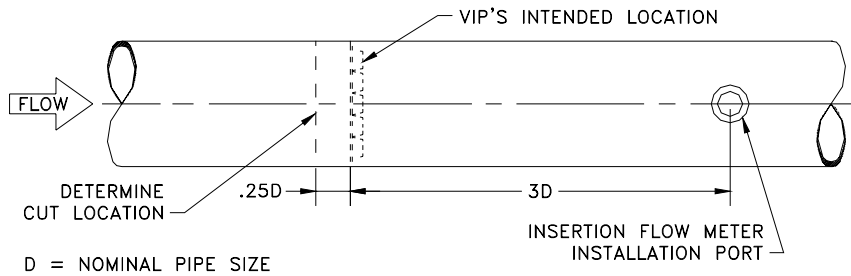


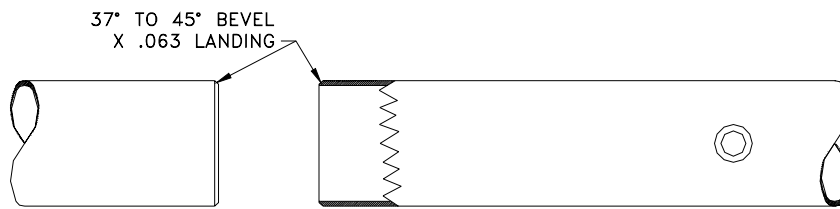
Figure 2-5. Orientation of Weld-In-Place VIP

Refer to Figure 2-6 for installation recommendations. Welding the VIP into place may cause distortion and shrinkage to the receiving conduit's wall so it is suggested to weld the VIP away from any potential weld zones like that shown Step #1 of Figure 2-6. First identify the permanent location of the VIP and determine the receiving conduit's cut location (if required). It is recommended to position the VIP a quarter of a pipe diameter (.25D) downstream from conduit re-weld zone. Before any welding is to take place, weld prep pipe ends if required per step #2. Position and correctly orientate the VIP .25D downstream from conduit weld zone and provide full circumferential fillet weld to secure VIP in place per step #3. Complete installation by welding conduit sections back together per step #4. Avoid welding the VIP flush with flange faces as warping or shrinkage of the flange face may occur.

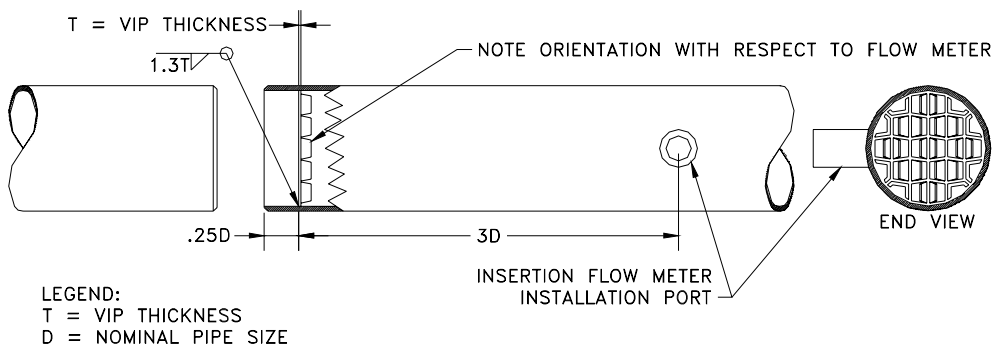
When using the VIP upstream from flow meters other than FCI insert flow meters, whether it be in insert or flange mounted, such as turbine, annubar, and ultrasonic flow meters, orientation is not critical but should mimic that which was calibrated. The VIP should be positioned upstream from the flow meter in the orientation and distance in which it was calibrated.



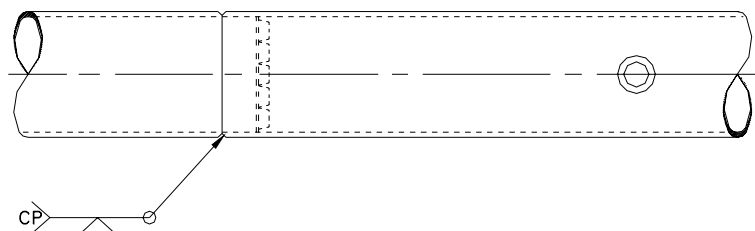
STEP #1: IDENTIFY CUT LOCATION



STEP #2: CUT PIPE AND WELD PREP ENDS



STEP #3: WELD VIP IN PLACE



STEP #4: WELD PIPE SECTIONS

C00971-1-1

Figure 2-6. Weld-In-Place VIP Installation

Vortab Insertion Sleeve (VIS) Installation

Prepare the installation site or inspect the already prepared location to assure that the VIS will fit into the process pipe or duct.

- Verify that the VIS matches the geometry and dimensions of the intended process pipe mount.
- The outlet of the VIS must be located three to four nominal pipe diameters (3D - 4D) upstream from the customer meter. The process pipe must continue straight for at least 1 pipe diameter (1D) past the customer meter. See Figure 2-7.

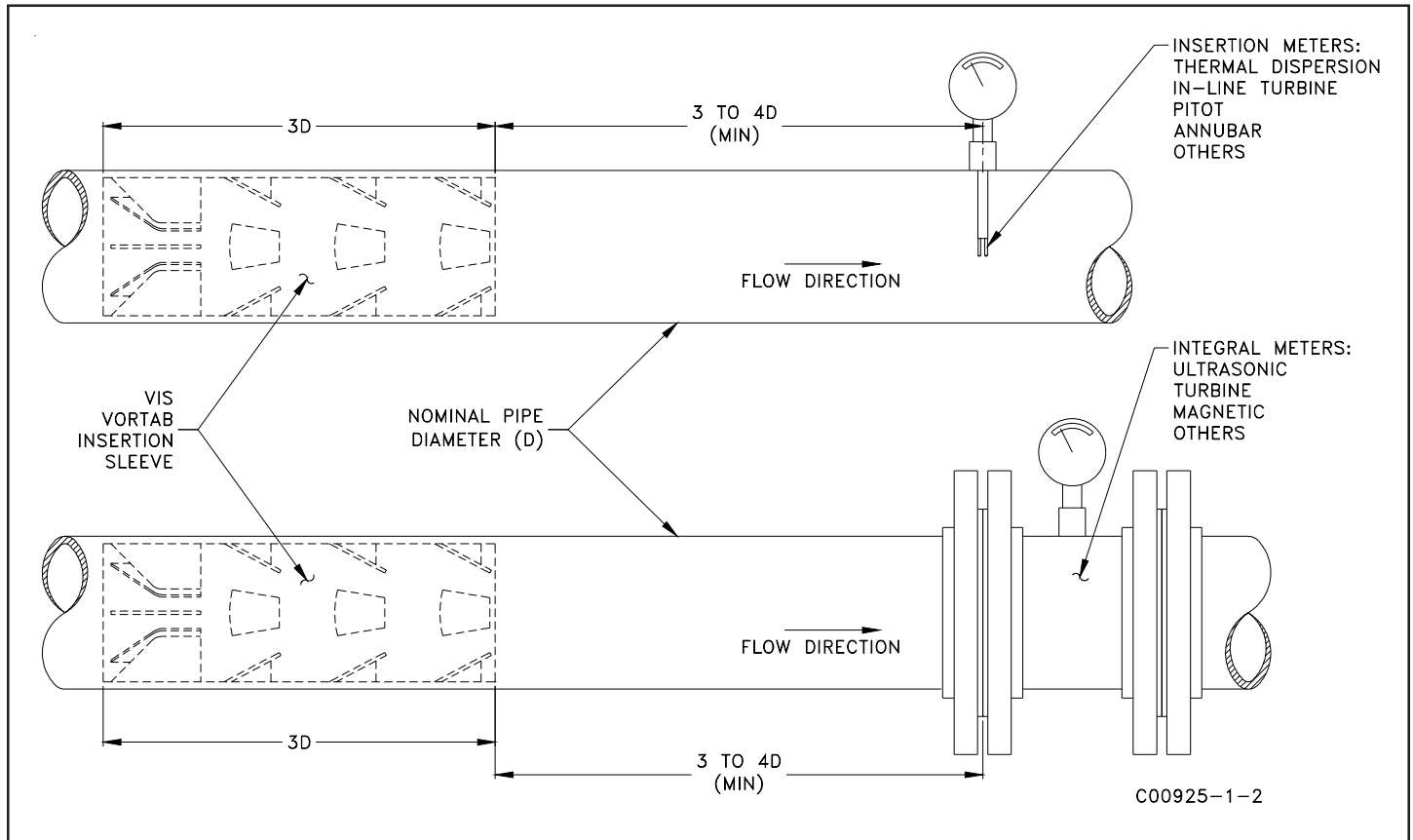


Figure 2-7. Orientation of VIS in Process Pipe or Duct

Tack Weld Mounting

Slide the VIS into the process pipe. Orientation of the tabs is not critical although symmetry with the downstream flow metering device is recommended. Weld Vortab into place; at least 1/2 of circumference should be securely welded. See Figure 2-8.

Note: Depending on size, there may be an additional sizing ring enclosed in the shipping container. This is used for fabricating and inspection purposes and can be discarded upon completion of installation.

If the VIS does not fit, use the sizing ring to determine where the flow conditioner is out-of-round. Carefully reshape the problem area and reinstall the VIS.

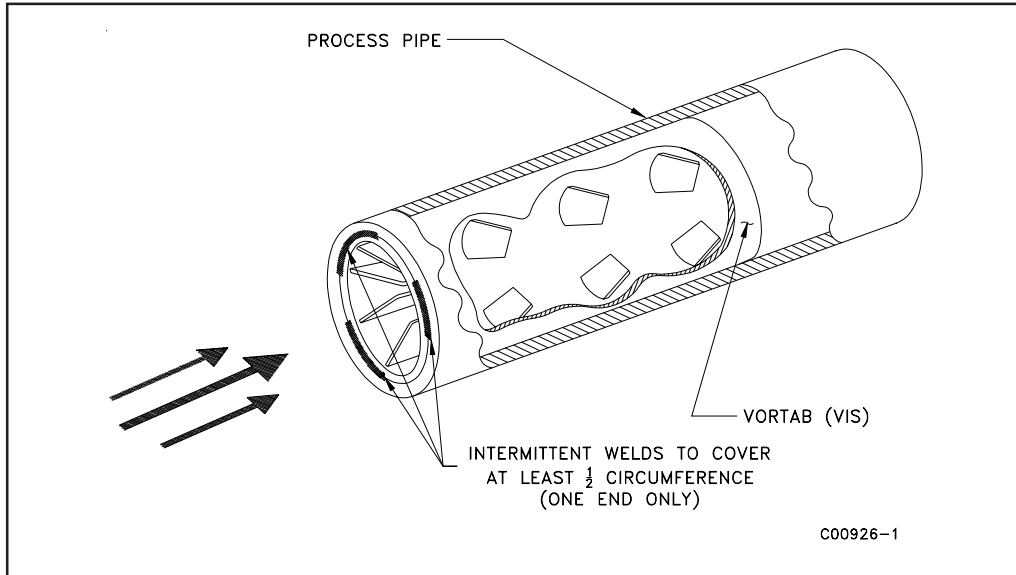


Figure 2-8. Typical Welded Installation of a VIS

Retaining Wafer Mounting

Sandwiching the retaining wafer between flange faces secures the VIS in place. This will require two customer-supplied gaskets of which one will be placed on each side of the retaining wafer prior to installation. Orientation of the tabs is not critical although symmetry with the downstream flow metering device is recommended. Bolt flanges together to complete installation. See Figure 2-9.

Note: Depending on size, there may be an additional sizing ring enclosed in the shipping container. This is used for fabricating and inspection purposes and can be discarded upon completion of installation.

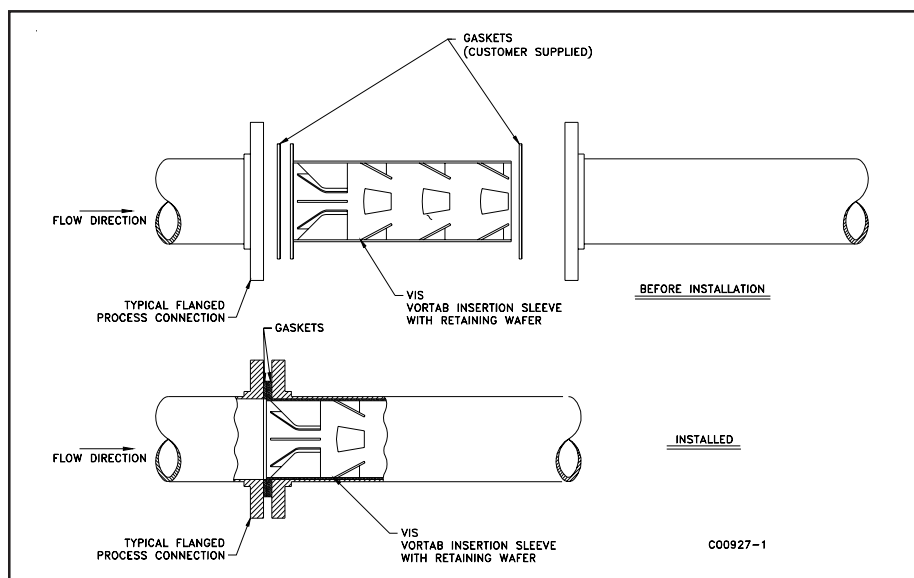


Figure 2-9. Typical Retaining Wafer Mounting of a VIS

Vortab Meter Run (VMR), Vortab Short Run (VSR) & Vortab Elbow (VEL) Installation

Prepare the installation site or inspect the already prepared location to assure that the flow conditioner will fit into the process by verifying that the flow conditioner matches the geometry and dimensions of the intended process pipe.

Butt Weld Mounting

VMR, VSR, and VEL Vortabs are supplied with weld prepped process connections to accommodate full penetration welds. Weld areas should be free of moisture and contaminants prior to welding. Orientation of the tabs is not critical although symmetry with the downstream flow metering device is recommended. See Figure 2-10.

Mount flow meter into Vortabs with optional flow element connection.

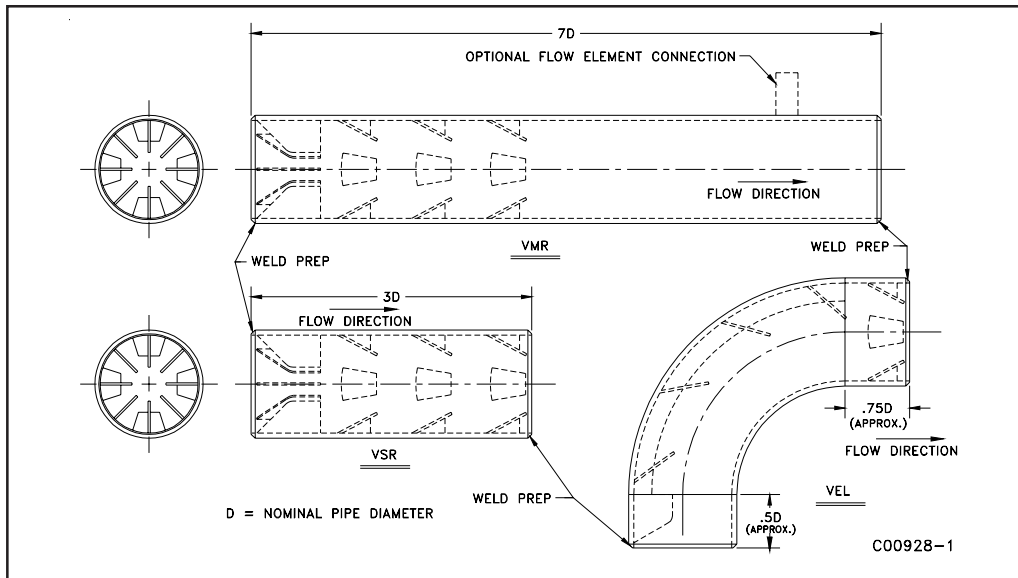


Figure 2-10. Typical Butt Weld VMR, VSR, and VEL

Flange Mounting

Standard flange bolt holes split the vertical axis, which is a common practice in piping community. See Figure 2-11. Customer supplied gaskets are required between mating flanges. Bolt flanges together using customer supplied hardware.

Mount flow meter into Vortabs with optional flow element connection.

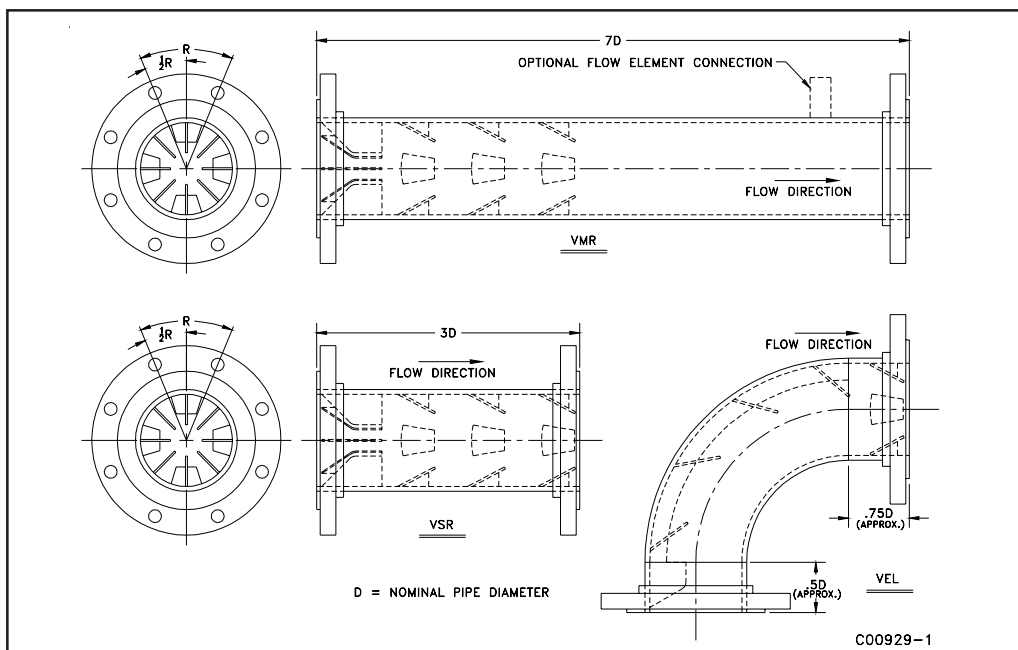


Figure 2-11. Typical Flanged VMR, VSR, and VEL

NPT Mounting

Threads per ANSI B1.20, American National Standard Taper Pipe Thread, NPT. Connection surfaces should be free of moisture and contaminants (including storage compounds) prior to the application of thread compounds or Teflon tape. See Figure 2-12.

NPT Mounting with Pipe Dope Compounds

Apply a light, even coating of thread compound over the entire thread and seal areas, leaving the thread form clearly visible. The act of slapping a “glob” of pipe dope on one side of the thread then relying on the pipe rotation during make-up to distribute is not sufficient. Teflon tape can be used in conjunction with pipe dope, which would be wrapped around the applied pipe dope.

Thread Vortab into process connection and check for leaks. Mount flow meter into Vortabs with optional flow element connection.

NPT Mounting with Teflon Tape

Verify the Teflon tape being used is compatible with the media being isolated. There are approved Teflon tapes for gas service.

Although Teflon tape can inadvertently “seal” threads, it is actually intended to lubricate threads. The surfaces of threads are not smooth and as they rub and pressure builds, they begin to gaul. This puts more material into the space between the mating threads, causing them to lock up prematurely. Teflon tape eliminates gauling and promotes thread engagement, ensuring a tighter seal.

Wrap the male threads with Teflon tape. Wrap the threads in the same direction that the female end turns when attaching to pipe. Threads wrapped in the wrong direction will unwind the tape when screwing mating threads together. A good rule of thumb is to wrap clockwise while looking into the pipe from the threaded end.

Thread Vortab into process connection and check for leaks. Mount flow meter into Vortabs with optional flow element connection.

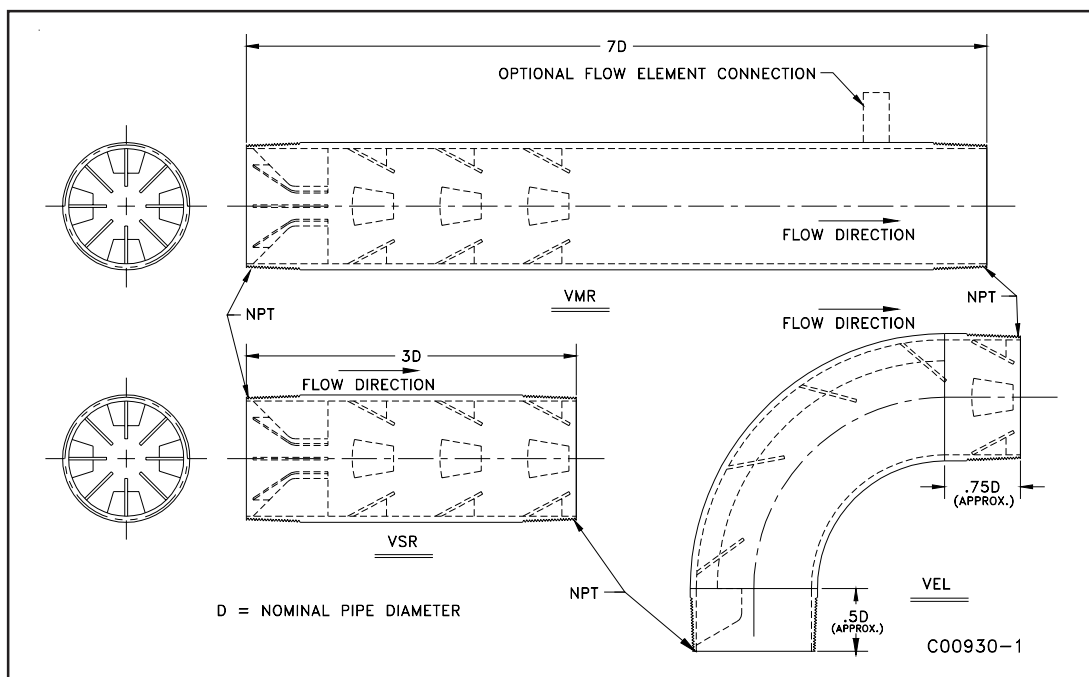


Figure 2-12. Typical Threaded VMR, VSR, and VEL

Vortab Field Kit (VFK) Installation

Process Pipe Preparation

The length of the flow conditioning section is three pipe diameters (3D). The inlet consists of eight symmetrically arranged anti-swirl tabs followed by three sets of four symmetrically arranged profile tab/gusset assemblies. See Figure 2-13. Flow meters can be installed at a minimum of three to four pipe diameters (3D–4D) downstream from the exit of the flow conditioning section. The flow meter’s downstream requirements should adhere to the flow meter manufacturer’s installation recommendations. Orientation of the tabs is not critical although symmetry with the downstream flow metering device is recommended. Position the Vortab flow conditioning internals and respective flow meter per recommendations shown in Figure 2-13.

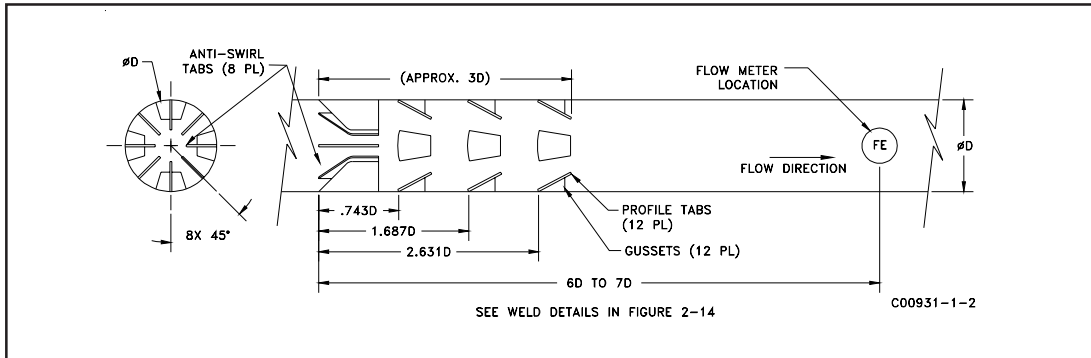


Figure 2-13. Tab Location

Weld Procedures

The easiest way to install the VFK is to have access to the VFK assembly location from both ends for welding. However, if only one end is accessible, then start with the tabs the farthest from the access end. This could either be the anti-swirl tabs located at the flow conditioning inlet or it will be the last set of downstream profile tab/gusset assemblies.

Welding surfaces should be free of moisture and contaminants.

It is highly recommended to mark the tab locations and then spray the inside of the process pipe with anti-spatter prior to any welding.

Before welding into process pipe, fabricate the profile tab/gusset assemblies by welding the twelve profile tabs to their respective gussets. Refer to Figure 2-14.

Weld Vortab flow conditioning internals into process pipe. Thoroughly clean all weld spatter and slag from process pipe. Sandblast if possible.

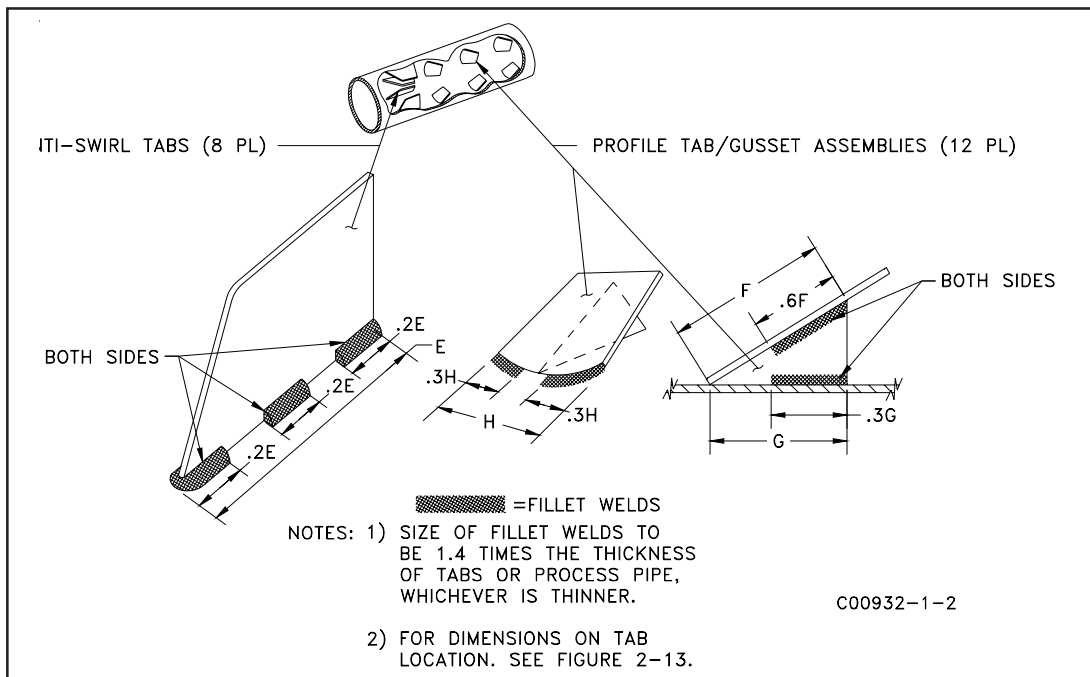


Figure 2-14. Weld Detail

Maintenance

General

Without detailed knowledge of the environmental parameters of the application surroundings and process media, Vortab cannot make specific recommendations for periodic inspection or cleaning procedures. However, some suggested general guidelines for maintenance steps are offered below. Use operating experience to establish the frequency of each type of maintenance.

VIS, VMR, VSRVEL and VFK Maintenance

Periodically check the flow conditioner based on historical evidence of debris and foreign matter in the process pipe. The tapered design of Vortabs make them self cleaning and inherently immune to fouling and clogging. The exception could be large items such as buckets, palm branches, hard hats and other items that could become lodged if their size is larger than the through core diameter of the installed anti-swirl tabs. Due to the pressure differential between the upstream and downstream sides of the profile conditioning tabs, a vacuum effect constantly pulls media and debris from the backsides of the tabs.

Build up of sticky substances such as paraffin (wax) could cause decreased effectiveness of the flow conditioner. Clean the flow conditioner according to process pipe cleaning schedules and procedures.

VIP Maintenance

Unlike the standard Vortab products, the Vortab Insertion Panel (model VIP) is not an open core flow conditioner and therefore, more likely susceptible to clogging from debris and foreign matter, which can lead to flow meter anomalies. Build up of sticky substances such as wax (paraffin) can also contribute to flow meter discrepancies. Periodic checks are recommended especially after start up of new installations or when a flow meter's readings are questionable. Always re-install the VIP in the orientation in which it was removed, as they are orientation sensitive. Refer to VIP installation guidelines covered in previous sections.

Customer Service and Technical Support

Vortab provides full in-house technical support for our products 7 a.m. to 5 p.m. PST, Monday through Friday (excepting holidays and an annual plant closure between Christmas and New Year's day). Also, additional technical representation is provided by Vortab field representatives.

By Mail

Vortab
1755 La Costa Meadows Dr.
San Marcos, CA 92078-5115 USA
Attn: Customer Service Department

By Phone

Contact the area Vortab regional representative. If a field representative is unable to be contacted or if a situation is unable to be resolved, contact the Vortab Customer Service Department toll free at 1 (800) 854-9959 or 1 (760) 736-6114.

By Fax

To describe problems in a graphical or pictorial manner, send a fax including a phone or fax number to the regional representative. Again, Vortab is available by facsimile if all possibilities have been exhausted with the authorized factory representative. Our Fax number is 1 (760) 736-6250; it is available 7 days a week, 24 hours a day.

By E-Mail

Vortab Customer Service can be contacted by e-mail at: sales_technical_support@fluidcomponents.com. or donl@fluidcomponents.com. Describe the problem in detail making sure a telephone number and best time to be contacted is stated in the e-mail.

International Support

For product information or product support outside the contiguous United States, Alaska, or Hawaii, contact your country's Vortab International Representative or the one nearest to you.

After Hours Support

For product information visit Vortab's Worldwide Web at www.vortab.com. For product support call 1 (800) 854-9959 and follow the prerecorded instructions. A person from the Technical Support Staff will be paged and promptly return the call.

Point of Contact

The point of contact for service, or return of items to Vortab is the authorized Vortab service representative.

Reference Documents

- Return Authorization Request with Certificate of Non-Contamination
- Warranty

Hardware Return Procedure

Complete a Return Authorization (RA) Request with Certificate of Non-Contamination form and mail or fax it to the Vortab Customer Service Department. After Vortab issues an RA number, complete the following steps.

1. Thoroughly clean the item to be returned.
2. Package each item with protective packing material similar to the original shipment cartons indicated below. **All damage occurring in transit is the customer's responsibility.**
 - a. Items weighing up to 60 pounds (27 kg) are to be boxed or crated in a manner which the contents will not shift or be externally damaged in transit. Items weighing greater than 60 pounds (27 kg) or longer than four feet (1220 mm) should be secured in wooden crates.
 - b. Do not pack more than four items in each carton.
 - c. Packages weighing in excess of 70 pounds (32 kg) or with a combined length and girth of more than 138 inches (3500 mm) cannot be shipped by United Parcel Service. Larger packages or crates should be shipped by carriers who specialize in the transport of heavy pipe.
 - d. The RA number should be noted on the packing list and marked clearly on the outside of the box or crate.
3. Prepay freight to the Vortab receiving door.

Shipping and Handling Charges

All Shipping (Warranty/Nonwarranty Repairs or Returns)

The customer prepays all shipping, freight, duty/entry and handling charges from the customer site to the Vortab door. If the customer does not prepay, Vortab will invoice the customer for the charges that appear on the freight bill. Address the return equipment to:

VORTAB
1755 LACOSTA MEADOWS DRIVE
SAN MARCOS, CA. 92078-5115 USA
ATTN: REPAIR DEPT.
RANUMBER:

Warranty Repairs or Returns

Vortab prepays ground transportation charges for return of freight to the customer's door. Vortab reserves the right to return equipment by the carrier of our choice.

International freight, handling charges, duty/entry fees for return of equipment are paid by the customer.

Non-Warranty Repairs or Returns

Vortab returns repaired equipment to the customer either collect or prepaid and adds freight charges to the customer invoice.

Return to Stock Equipment

The customer is responsible for all shipping and freight charges for equipment that is returned to Vortab stock from the customer site. These items will not be credited to customer's account until either all freight charges are cleared or until the customer agrees to have any freight costs incurred by Vortab deducted, along with applicable return to stock charges, from the credit invoice. Exceptions are made for duplicate shipments made by Vortab.

If any repair or return equipment is received at Vortab, freight collect, without prior factory consent, Vortab bills the sender for these charges.

Field Service Procedures

Contact your Vortab field representative to request field service.

A field service technician is dispatched to the site from either the Vortab factory or one of the Vortab representative offices. After the work is complete, the technician completes a preliminary field service report at the customer site and leaves a copy with the customer. Following the service call, the technician completes a formal, detailed service report. The formal report is mailed to the customer within five days of the technician's return to the factory or office.

Field Service Rates

All field service calls are billed at the prevailing rates as listed in the Vortab Price Book unless specifically excepted by the Vortab Customer Service Manager. Vortab reserves the right to bill for travel times at Vortab's discretion.

Customers are charged for shipping costs related to the transfer of equipment to and from the job site. They are also invoiced for field service work and travel expenses by Vortab's Accounting Department.

INTENTIONALLY LEFT BLANK



1755 La Costa Meadows Drive, San Marcos, CA 92078-5115 USA
760-736-6114 / 800-854-9959 / Fax 760-736-6250
Web Site: www.vortab.com
E-mail: eflow@fluidcomponents.com

RA # _____



Return Authorization Request

1. Return Customer Information

Returning Company's Name: _____ Phone# _____

Return Contact Name: _____ Fax # _____

Email Address: _____

2. Return Address

Bill To: _____ Ship To: _____

3. Mandatory End User Information

Contact: _____ Company: _____ Country: _____

4. Return Product Information


Model or Part No: _____ Customer Order No(s): _____

Failure Symptoms (*Detailed Description Required*): _____

What Correspondence Was Done Via Phone or Field Visit by VORTAB: _____

VORTAB Factory Technical Service Contact: _____

5. Reason For Return
- Matching to Flow Meter for Calibration
 - Damage to Flow Conditioning Internals
 - Fit Interference
 - Built Incorrectly
 - Credit
 - Other

6. Payment Via
- Faxed Purchase Order
 - 
 - 

(Note: A priced quotation is provided for all Non-Warranty repairs after equipment has been evaluated. All Non-Warranty repairs are subject to a minimum evaluation charge of \$250.00)

Factory Return Shipping Address:

VORTAB Company
1755 La Costa Meadows Drive
San Marcos, CA 92078-5115
Attn: Repair Department,
RA # _____



The following Return Authorization Request form and Decontamination Statement **MUST be completed, signed and faxed back to VORTAB before** a Return Authorization Number will be issued. The signed Decontamination Statement and applicable MSDS Sheets **must be included with the shipment**. VORTAB will either fax, email or telephone you with the Return Authorization Number upon receipt of the signed forms.

Packing Procedures

1. Devices weighing **more than 50 lbs.**, or **extending more than four feet**, should be secured in wooden crates. Retaining wafers (model VIS) and flange faces are sealing mechanisms and therefore need special attention when preparing for shipment back to the factory. Ensure adequate protection of these surfaces. Minor scratches on these surfaces can void their pressure sealing capabilities.
2. VORTAB can supply crates for a nominal fee.
3. **VORTAB will not be held liable for damage caused during shipping.**
4. To ensure immediate processing **mark** the RA number on the outside of the box. Items without an RA number marked on the box or crate may be delayed.
5. Freight **must be "PrePaid"** to VORTAB receiving door.

** Appropriate dunnage as defined by UPS, will protect package contents from a drop of 3 feet.*

***** Decontamination Statement *** This Section Must Be Completed *****

Exposure to hazardous materials is regulated by Federal, State, County and City laws and regulations. These laws provide VORTAB's employees with the "Right to Know" the hazardous or toxic materials or substances in which they may come in contact while handling returned products. Consequently, VORTAB's employees must have access to data regarding the hazardous or toxic materials or substances the equipment has been exposed to while in a customer's possession. Prior to returning the instrument for evaluation/repair, VORTAB requires thorough compliance with these instructions. The signer of the Certificate must be either a knowledgeable Engineer, Safety Manager, Industrial Hygenist or of similar knowledge or training and responsible for the safe handling of the material to which the unit has been exposed. **Returns without a legitimate Certification of Decontamination, and/or MSDS when required, are unacceptable and shall be returned at the customer's expense and risk.** Properly executed Certifications of Decontamination must be provided before a repair authorization (RA) number will be issued.

Certification Of Decontamination

I certify that the returned item(s) has(have) been thoroughly and completely cleaned. If the returned item(s) has(have) been exposed to hazardous or toxic materials or substances, even though it (they) has (have) been thoroughly cleaned and decontaminated, the undersigned attests that the attached Material Data Safety Sheet(s) (MSDS) covers said materials or substances completely. Furthermore, I understand that this Certificate, and providing the MSDS, shall not waive our responsibility to provide a neutralized, decontaminated, and clean product for evaluation/repair at VORTAB. Cleanliness of a returned item or acceptability of the MSDS shall be at the sole discretion of VORTAB. **Any item returned which does not comply with this certification shall be returned to your location Freight Collect and at your risk.**

This certification must be signed by knowledgeable personnel responsible for maintaining or managing the safety program at your facility.

Process Flow Media _____

Product was or may have been exposed to the following substances: _____

Print Name _____

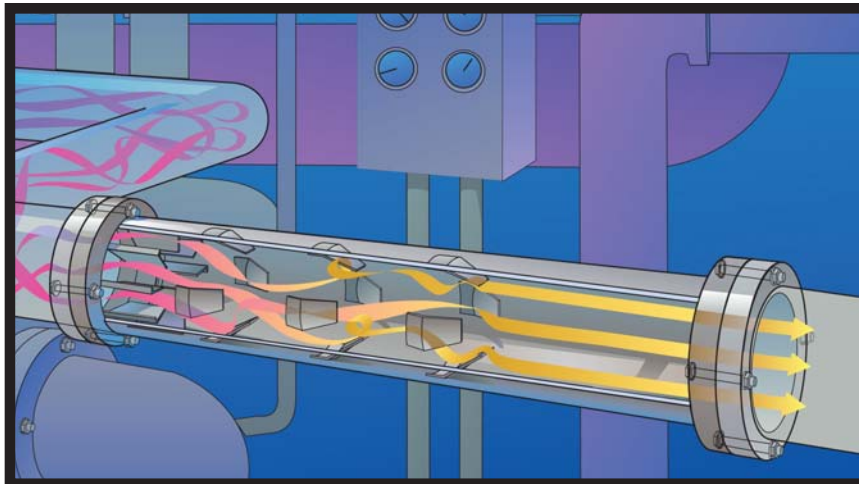
Authorized Signature _____ Date _____

Company Title _____

Instrument Warranty

Goods furnished by the Seller are to be within the limits and of the sizes published by the Seller and subject to the Seller's standard tolerances for variations. All items made by the Seller are inspected before shipment, and should any of said items prove defective due to faults in manufacture or performance under Seller approved applications, or fail to meet the written specifications accepted by the Seller, they will be replaced or repaired by Seller at no charge to Buyer provided return or notice of rejection of such material is made within a reasonable period but in no event longer than one (1) year from date of shipment to Buyer, and provided further, that an examination by Seller discloses to Seller's reasonable satisfaction that the defect is covered by this warranty and that the Buyer has not returned the equipment in a damaged condition due to Buyer's or Buyer's employees', agents', or representatives' negligence and Buyer has not tampered, modified, redesigned, misapplied, abused, or misused the goods as to cause the goods to fail. In addition, this warranty shall not cover damage caused by Buyer's exposure of the goods to corrosive or abrasive environments. Moreover, Seller shall in no event be responsible for (1) the cost or repair of any work done by Buyer on material furnished hereunder (unless specifically authorized in writing in each instance by Seller), (2) the cost or repair of any modifications added by a Distributor or a third party, (3) any consequential or incidental damages, losses, or expenses in connection with or by reason of the use of or inability to use goods purchased for any purpose, and Seller's liability shall be specifically limited to free replacement, or refund of the purchase price, at Seller's option, provided return or rejection of the goods is made consistent with this paragraph, and the Seller shall in no event be liable for transportation, installation, adjustment, loss of good will or profits, or other expenses which may arise in connection with such returned goods, or (4) the design of products or their suitability for the purpose for which they are intended or used. Should the Buyer receive defective goods as defined by this paragraph, the Buyer shall notify the Seller immediately, stating full particulars in support of his claim, and should the Seller agree to a return of the goods, the Buyer shall follow Seller's packaging and transportation directions explicitly. In no case are the goods to be returned without first obtaining a return authorization from the Seller. Any repair or replacement shall be at Seller's factory, unless otherwise directed, and shall be returned to Seller transportation prepaid by Buyer. If the returned goods shall prove defective under this clause they will be replaced or repaired by Seller at no charge to Buyer provided the return or rejection of such material is made within a reasonable period, but in no event longer than (1) year from the date of shipment of the returned goods. If the goods prove to be defective under this paragraph, the Buyer shall remove the goods immediately from the process and prepare the goods for shipment to Seller. Continued use or operation of defective goods is not warranted by Seller and damage occurring due to continued use or operation shall be for Buyer's account. Any description of the goods contained in this offer is for the sole purpose of identifying them, and any such description is not part of the basis of the bargain, and does not constitute a warranty that the goods will conform to that description. The use of any sample or model in connection with this offer is for illustrative purposes only, is not part of the basis of the bargain, and is not to be construed as a warranty that the goods will conform to the sample or model. No affirmation of that fact or promise made by the Seller, whether or not in this offer, will constitute a warranty that the goods will conform to the affirmation or promise.

THIS WARRANTY IS EXPRESSLY IN LIEU OF ANY AND ALL OTHER EXPRESS OR IMPLIED WARRANTIES WITH RESPECT TO THE GOODS OR THEIR INSTALLATION, USE, OPERATION, REPLACEMENT OR REPAIR, INCLUDING ANY IMPLIED WARRANTY OF MERCHANTABILITY OR FITNESS OF PURPOSE; AND THE GOODS ARE BEING PURCHASED BY BUYER "AS IS". SELLER WILL NOT BE LIABLE BY VIRTUE OF THIS WARRANTY OR OTHERWISE FOR ANY SPECIAL, INCIDENTAL OR CONSEQUENTIAL LOSS OR DAMAGE RESULTING FROM THE USE OR LOSS OF USE OF THE GOODS.



Notice of Proprietary Rights

This document contains confidential technical data, including trade secrets and proprietary information which is the property of Vortab and protected by United States Patent Numbers 4,929,088 and 4,981,368. Disclosure of this data to you is expressly conditioned upon your assent that its use is limited to use within your company only (and does not include manufacture or processing uses). Any other use is strictly prohibited without the prior written consent of Vortab.

Visit FCI on the Worldwide Web: www.vortab.com

1755 La Costa Meadows Drive, San Marcos, California 92078 USA - 760-736-6114 - 800-854-9959 - Fax 760-736-6250