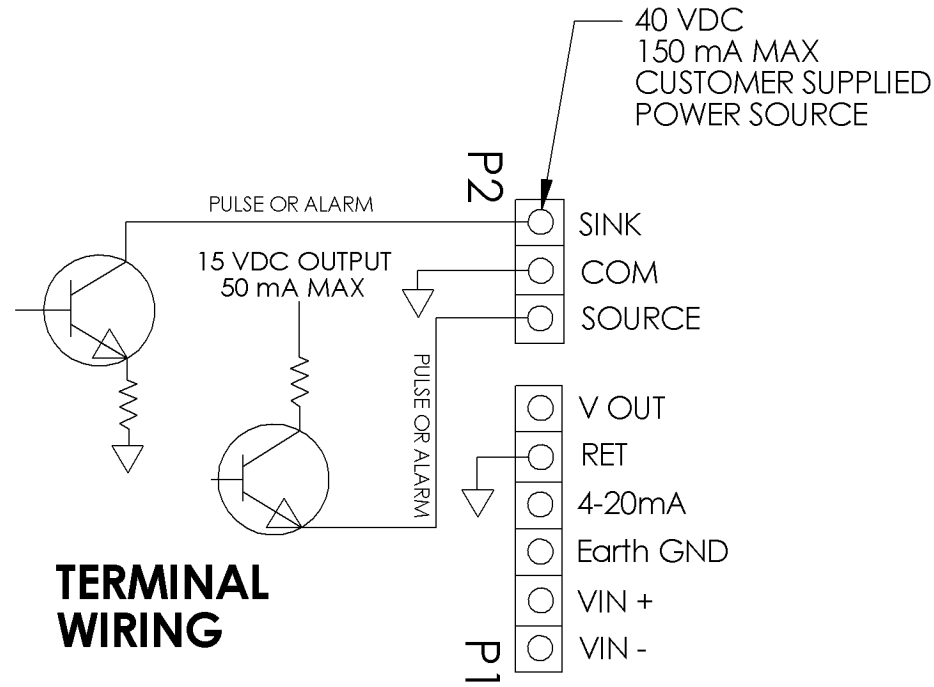


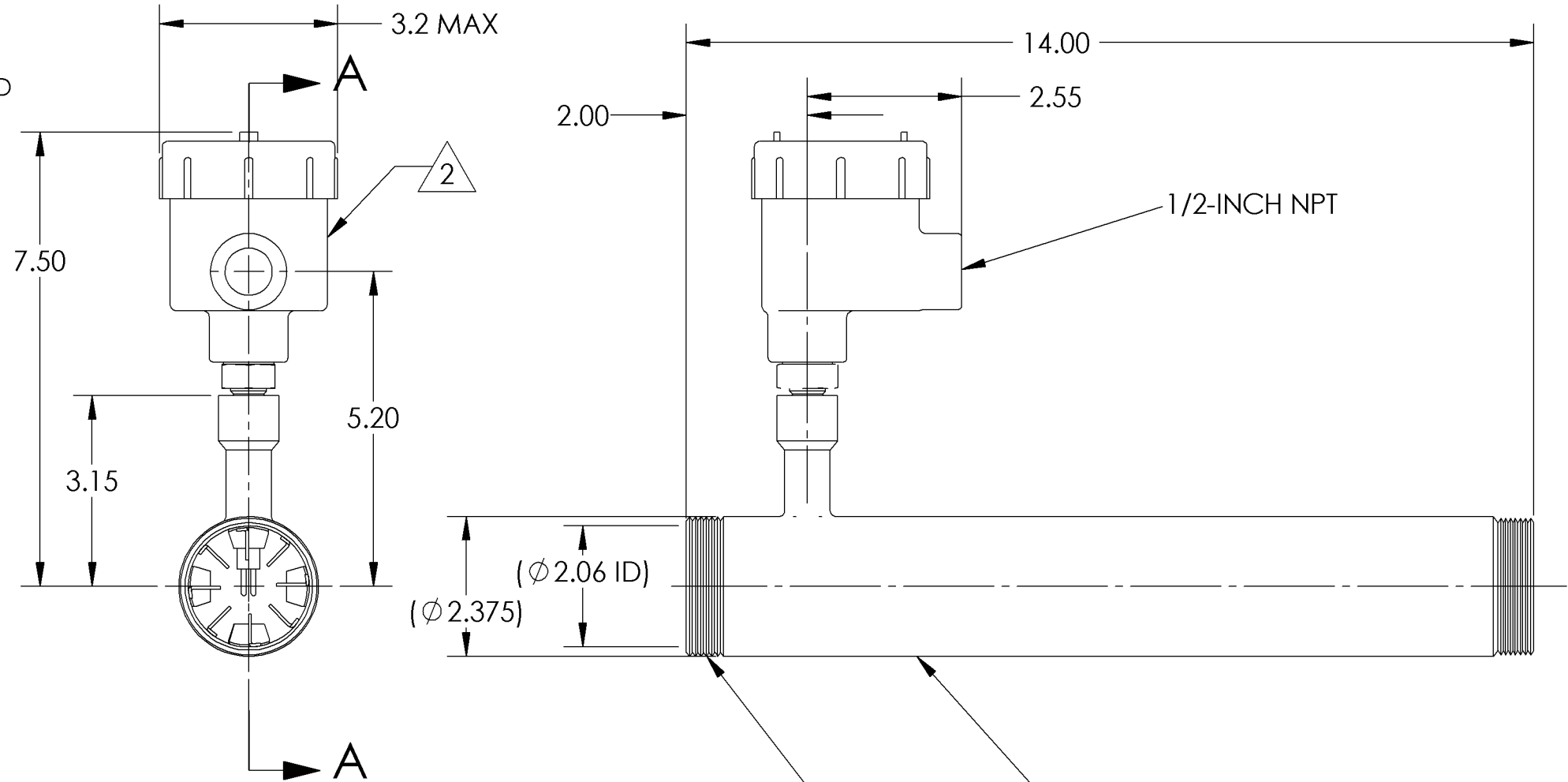
NOTICE OF PROPRIETARY RIGHTS

This document contains confidential technical data, including trade secrets and proprietary information which are the property of Fluid Components Intl (FCI). Disclosure of this data to you is expressly conditioned upon your assent that its use is limited to use within your company only (and does not include manufacture or processing uses). Any other use is strictly prohibited without the prior written consent of FCI.

REVISIONS				
ZONE	REV	DESCRIPTION	DATE	APPROVED



TERMINAL WIRING



- 6. TEMPERATURE RANGE:
ELECTRONICS: -40 TO +140 °F (-40 TO 60 °C)
PROCESS: 40 TO +120 °F (20 TO 49 °C)
- 5. FLOW RATE: 0.5 TO 200 SCFM-NATURAL GAS. CUSTOMER SPECIFIED ZERO & SPAN (MINIMUM 10:1, MAXIMUM 100:1 TURNDOWN)
- 4. ELECTRICAL DATA:
POWER REQUIREMENTS: 18 TO 36 VDC
OUTPUT: 4-20 mA (PROPORTIONAL TO MASS FLOW)
- 3. PRESSURE, SAFETY PROOF: 500 PSIG.

△ MAKE FROM 018070-01-01-0274.

- 1. MATERIAL:
ELEMENT: 300 SERIES STAINLESS STEEL.
HOUSING: DIECAST ALUMINUM, COLOR, FCI GRAY.

-01 CONFIG

TOP ASSEMBLY		OEM		UNLESS OTHERWISE SPECIFIED DIMENSIONS ARE IN INCHES		CONTRACT NO.				FCI ® FLUID COMPONENTS INTL a limited liability company SAN MARCOS, CA 92069			
NEXT ASSY		USED ON		TOLERANCES		APPROVALS		DATE					
APPLICATION				MATERIAL		.X ±.1		.XX ±.03		DRAWN SCHARF		7/25/02	
THIRD ANGLE PROJECTION				NOTED		.XXX ±.010		QUAL		CHECK		TITLE	
				MACH SURFACE FINISH: 125 RMS		MACH RAD: .030		MFG		ENGR		MASS FLOW METER WITH VORTAB, 2 INCH,	
DO NOT SCALE DRAWING				PARTS TO BE FREE OF BURRS & SHARP EDGES		QA		SCALE NONE		SHEET 1 OF 1		SIZE B CAGE CODE 64818 DWG NO. ILLUSTRATION 10 REV -	

NOTES: UNLESS OTHERWISE SPECIFIED