

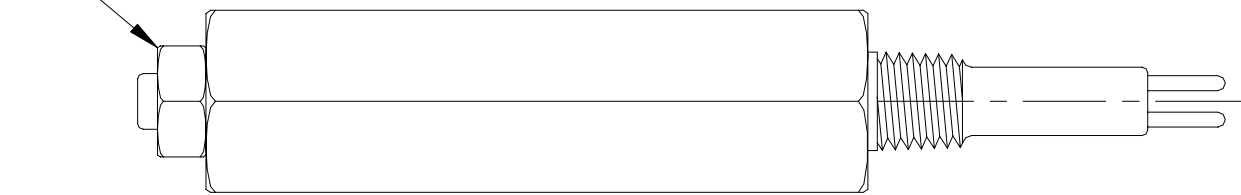
4 3 2 1

NOTICE OF PROPRIETARY RIGHTS

This document contains confidential technical data, including trade secrets and proprietary information which are the property of Fluid Components Intl. (FCI). Disclosure of this data to you is expressly conditioned upon your assent that its use is limited to use within your company only (and does not include manufacture or processing uses). Any other use is strictly prohibited without the prior written consent of FCI.

REVISIONS			
REV	DESCRIPTION	DATE	APPROVED

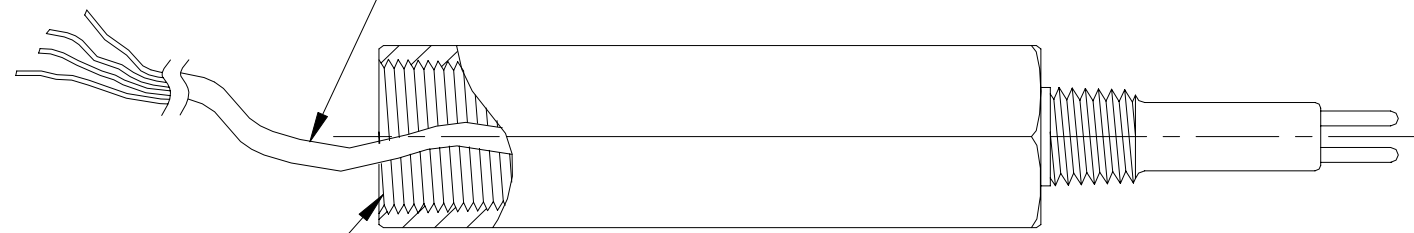
TYPICAL M12 CONNECTOR



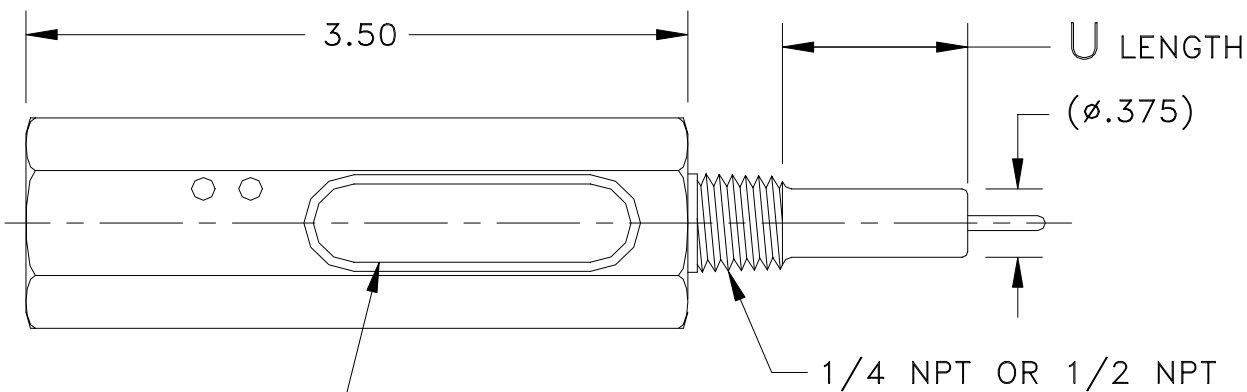
AVAILABLE END CONNECTIONS	
WIRE OR PIN 1	DC +
WIRE OR PIN 2	COLLECTOR OUT
WIRE OR PIN 3	DC -
WIRE OR PIN 4	GND

STANDARD U LENGTHS	
	.60
	.98
	1.11
	1.67
	2.23
	2.74
	3.80

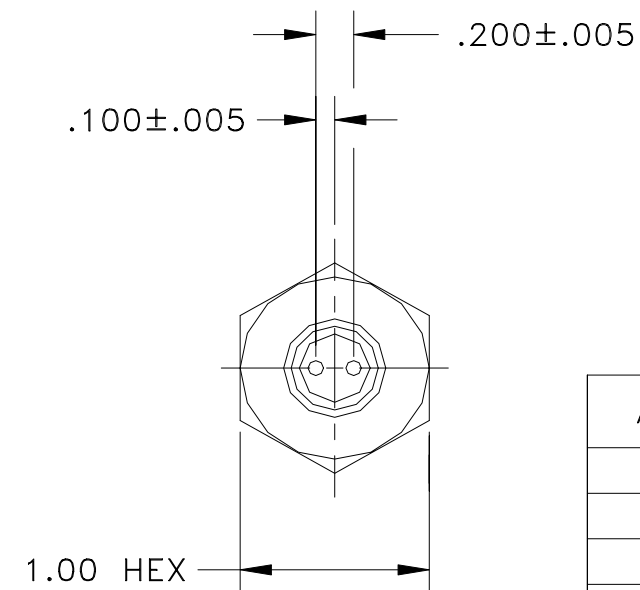
TYPICAL PIGTAIL CABLE



1/2 NPT



SET POINT POTENTIOMETER



AVAILABLE END CONNECTIONS	
	10' PIGTAIL CABLE
	20' PIGTAIL CABLE
	M12 CONNECTOR
	OTHER

2. AVAILABLE WETTED MATERIALS:
- A) CPVC BODY, 305 SS TIPS
 - B) CPVC BODY, HASTELLOY C-22 TIPS
 - C) 304 SS, 305 SS TIPS

1. POWER: 22.5 TO 26 VDC, 3 WATTS

NOTES: UNLESS OTHERWISE SPECIFIED

	OEM
NEXT ASSY	USED ON
APPLICATION	
THIRD ANGLE PROJECTION	

UNLESS OTHERWISE SPECIFIED DIMENSIONS ARE IN INCHES	
TOLERANCES	
DECIMALS	ANGULAR
.X ±.1	±1/2°
.XX ±.03	
.XXX ±.010	
MATERIAL	
NOTED	
MACH SURFACE FINISH: 125 RMS	MACH RAD: .030
DO NOT SCALE DRAWING	
PARTS TO BE FREE OF BURRS & SHARP EDGES	

CONTRACT NO.	
APPROVALS	APPROVALS
CONTRACT	DRAWN R. DUCAR 7/10/03
QUAL	CHECK
MFG	ENGR
QA	

FCI ® FLUID COMPONENTS INTL <i>a limited liability company</i> SAN MARCOS, CA 92069			
TITLE			
INTEGRAL FLOW OR LEVEL/INTERFACE SWITCH			
SIZE	CAGE CODE	DWG NO.	REV
B	64818	ILLUSTRATION 11	-
SCALE NONE		SHEET 1 OF 1	