

4

3

2

1

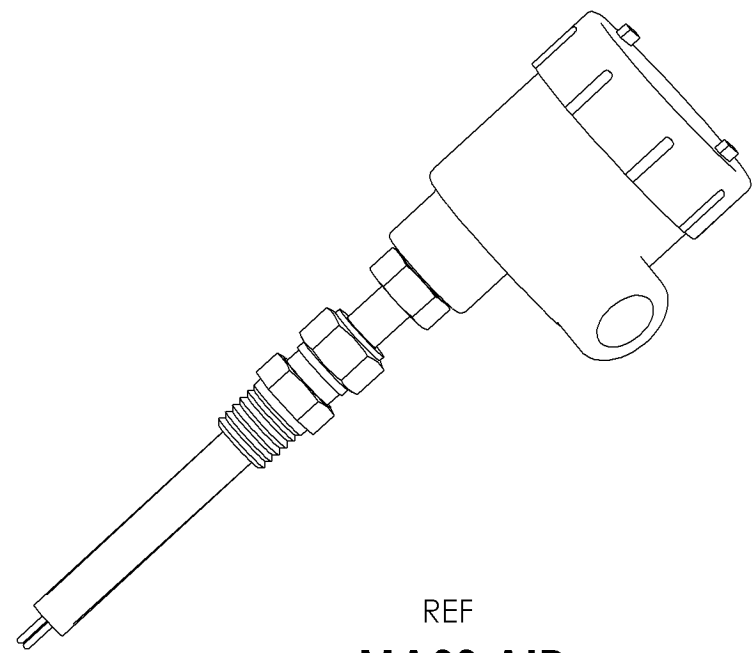
NOTICE OF PROPRIETARY RIGHTS

This document contains confidential technical data, including trade secrets and proprietary information which are the property of Fluid Components Intl (FCI). Disclosure of this data to you is expressly conditioned upon your assent that its use is limited to use within your company only (and does not include manufacture or processing uses). Any other use is strictly prohibited without the prior written consent of FCI.

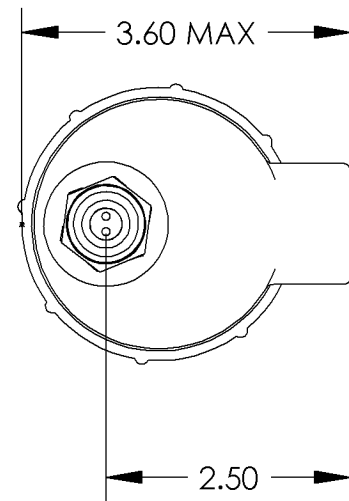
REVISIONS				
ZONE	REV	DESCRIPTION	DATE	APPROVED

D

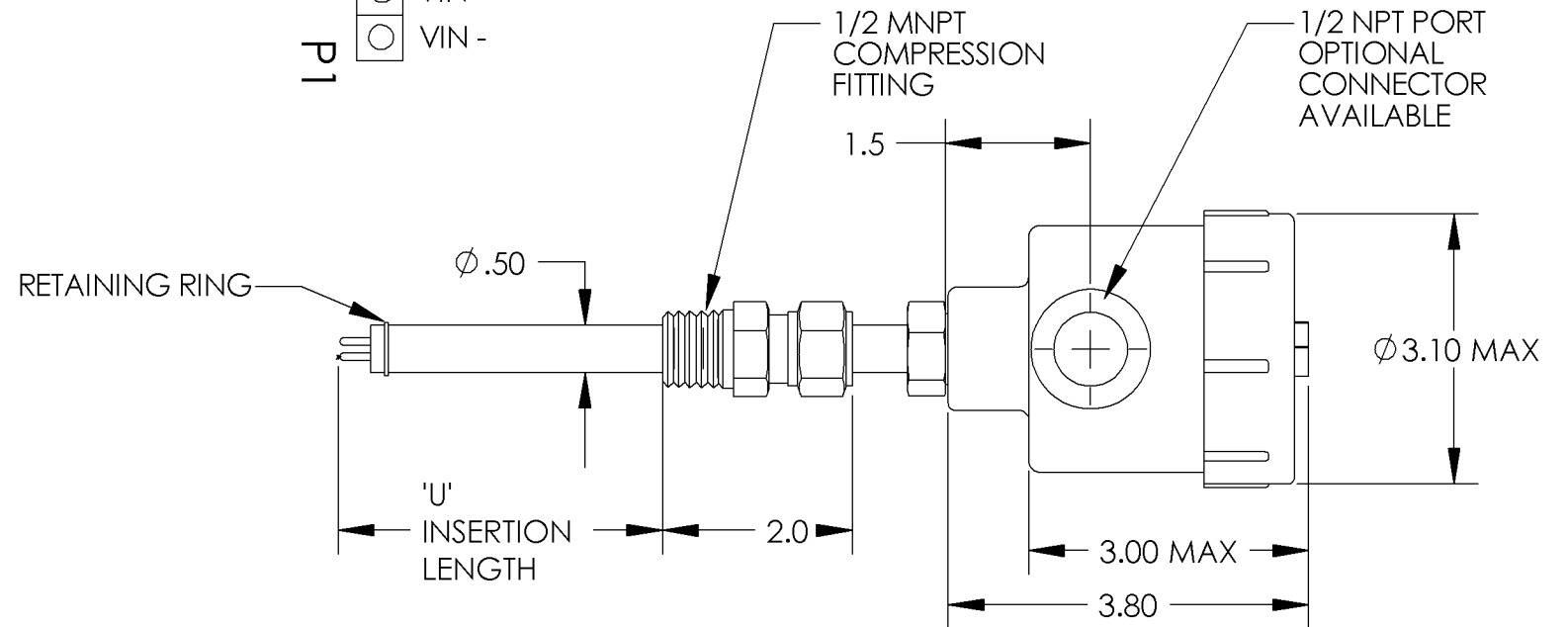
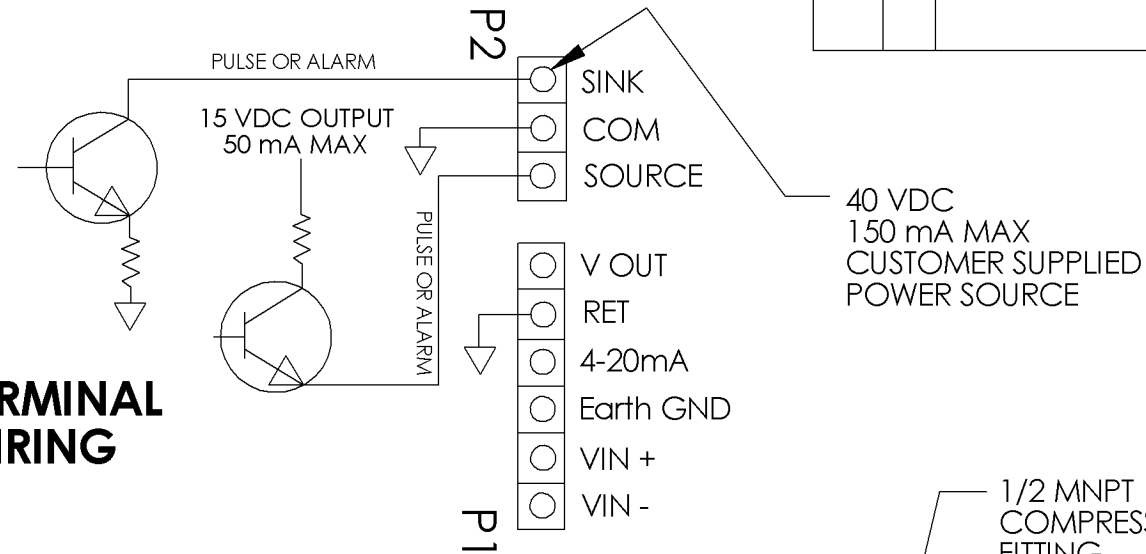
D



REF
MASS AIR FLOW METER
SCALE: NONE



TERMINAL WIRING



PART NUMBER CONFIGURATION

017946-XX-XX

INCHES (IN 6 INCH INCREMENTS, 24 IN MAX)

COMPRESSION FITTING FERRULE
01-TEFLON, 02-STAINLESS STEEL

SAMPLE PART NUMBER: 017946-01-12,
MASS AIR FLOW METER WITH STAINLESS STEEL FERRULE,
12 INCH 'U' LENGTH

ENVELOPE DRAWING

- 6. TEMPERATURE RANGE:
ELECTRONICS: -40 TO +140 °F (-40 TO 60 °C)
PROCESS: -40 TO +250 °F (-40 TO 121 °C)
- 5. FLOW RATE: 1-600 SFPS RANGE :CUSTOMER SPECIFIED ZERO AND SPAN (MINIMUM 10:1, MAXIMUM 100:1 TURNDOWN)
- 4. ELECTRICAL DATA:
POWER REQUIREMENTS: 18 TO 36 VDC
OUTPUT: 4-20 mA (PROPORTIONAL TO MASS FLOW)
- 3. PRESSURE: SS FERRULE 250 PSIG
TEFLON FERRULE 150 PSIG.
- 2. MAKE FROM FCI PN: TBD
- 1. MATERIAL:
ELEMENT: 300 SERIES STAINLESS STEEL.
HOUSING: DIECAST ALUMINUM, COLOR, EPOXY COAT GREY.

NOTES: UNLESS OTHERWISE SPECIFIED

TBD		TBD		UNLESS OTHERWISE SPECIFIED DIMENSIONS ARE IN INCHES TOLERANCES DECIMALS ANGULAR .X ±.1 ±1/2° .XX ±.03 .XXX ±.010	CONTRACT NO.				FCI [®] FLUID COMPONENTS INTL a limited liability company SAN MARCOS, CA 92069			
NEXT ASSY	USED ON	APPLICATION			MATERIAL	APPROVALS	DATE	APPROVALS	DATE	TITLE		
THIRD ANGLE PROJECTION		NOTED		MACH SURFACE FINISH: 125 RMS	MACH RAD: .030	CONTRACT	DRAWN SCHARF	2/28/2001	MASS GAS FLOW METER, W/ COMPRESSION FITTING			
DO NOT SCALE DRAWING		PARTS TO BE FREE OF BURRS & SHARP EDGES		QA	QUAL	ENGR	CHECK		SIZE B	CAGE CODE 64818	DWG NO. ILLUSTRATION 2	REV 4
									RELEASE DATE:	SCALE 1/1	SHEET 1 OF 1	

4

3

2

1

A

A