

4

3

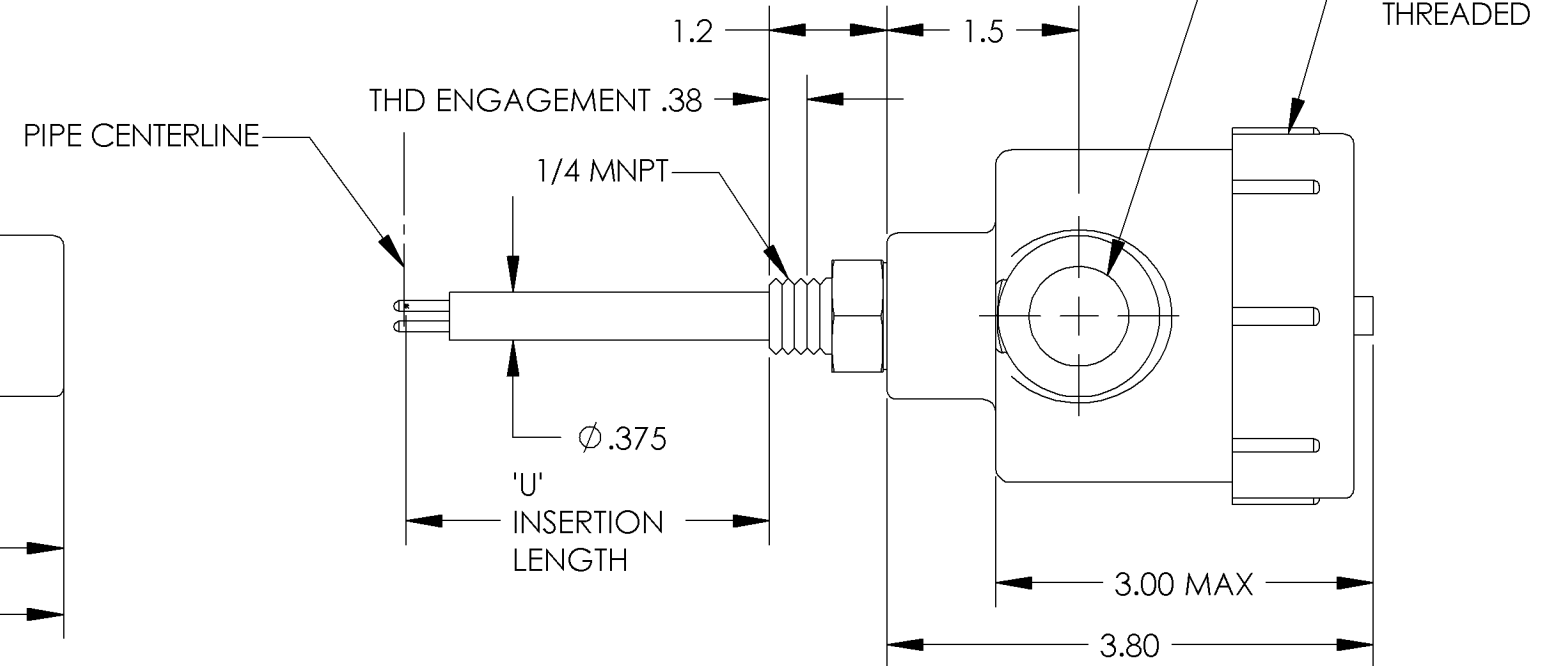
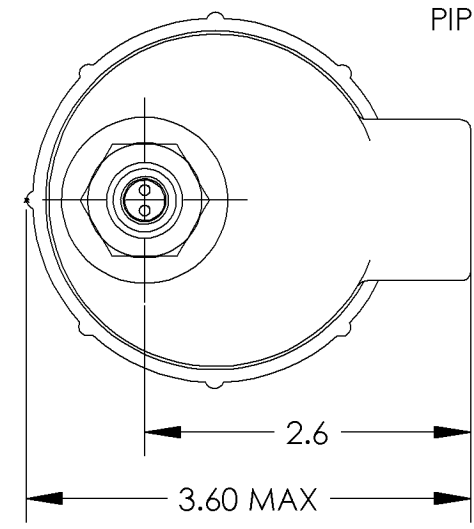
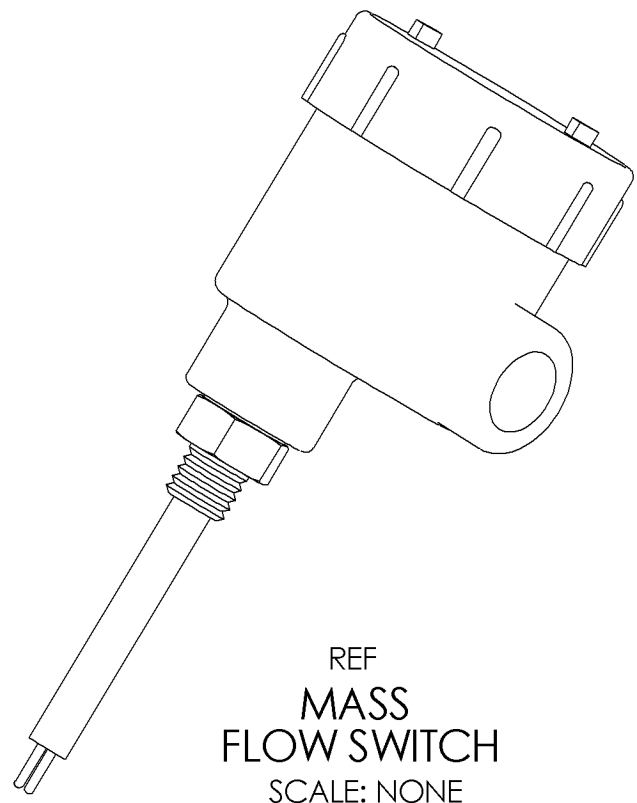
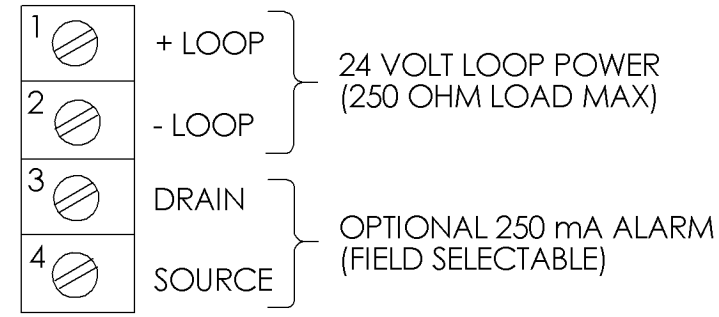
2

1

NOTICE OF PROPRIETARY RIGHTS

This document contains confidential technical data, including trade secrets and proprietary information which are the property of Fluid Components Intl (FCI). Disclosure of this data to you is expressly conditioned upon your assent that its use is limited to use within your company only (and does not include manufacture or processing uses). Any other use is strictly prohibited without the prior written consent of FCI.

REVISIONS				
ZONE	REV	DESCRIPTION	DATE	APPROVED



"T" FITTING	REDUCING BUSHING	PROBE
1/4" 150#	NONE	018091-0060
1/4" 3000#	NONE	018091-0060
1/2" 150#	018085-01	018091-0098
1/2" 3000#	018085-01	018091-0098
3/4" 150#	018085-02	018091-0098
3/4" 3000#	018085-02	018091-0098
1" 150#	018085-03	018091-0167
1" 3000#	018085-03	018091-0167

FCI PART NO.	INSERTION 'U' LENGTH	NOMINAL PIPE DIAM
018091-0060	.60	1/2 INCH
018091-0098	.98	3/4 INCH
018091-0111	1.11	1 INCH
018091-0167	1.67	2 INCH
018091-0223	2.23	3 INCH
018091-0274	2.74	4 INCH
018091-0380	3.80	6 INCH

⁶ INSERTION PROBE LENGTHS HAVE BEEN DETERMINED BASED ON MATING WITH 1/4" 3000 LB THREDOLET. (THREDOLET HEIGHT 0.75 INCH)

- 5. TEMPERATURE RANGE:
ELECTRONICS: -40 TO +140 °F (-40 TO 60 °C)
PROCESS: -40 TO +250 °F (-40 TO 121 °C)
- 4. ELECTRICAL DATA:
POWER REQUIREMENTS: 2 WIRE LOOP POWERED AND NPN OPEN COLLECTOR
OUTPUT: SELECTABLE 14 mA OR 18mA ALARM SETTING

- 3. PRESSURE, SAFETY PROOF: 500 PSIG.
- 2. MAKE FROM 018070-01-03-XXXX
- 1. MATERIAL:
ELEMENT: 300 SERIES STAINLESS STEEL.
HOUSING: DIECAST ALUMINUM, COLOR, GRAY.

NOTES: UNLESS OTHERWISE SPECIFIED

ENVELOPE DRAWING

FCI® FLUID COMPONENTS INTL
a limited liability company
SAN MARCOS, CA 92069

TBD	OEM	UNLESS OTHERWISE SPECIFIED DIMENSIONS ARE IN INCHES TOLERANCES DECIMALS ANGULAR .X ±.1 ±1/2° .XX ±.03 .XXX ±.010	CONTRACT NO.			
NEXT ASSY	USED ON		APPROVALS	DATE	APPROVALS	DATE
APPLICATION		MATERIAL	CONTRACT	DRAWN	7/09/02	
THIRD ANGLE PROJECTION		NOTED	QUAL	CHECK		
MACH SURFACE FINISH: 125 RMS		MACH RAD: .030	MFG	ENGR		
DO NOT SCALE DRAWING		PARTS TO BE FREE OF BURRS & SHARP EDGES	QA			

TITLE 2-WIRE, LOOP POWERED FLOW SWITCH			
SIZE B	CAGE CODE 64818	DWG NO. ILLUSTRATION 3	REV 2
RELEASE DATE:		SCALE 1/1	SHEET 1 OF 1

4

3

2

1