

4

3

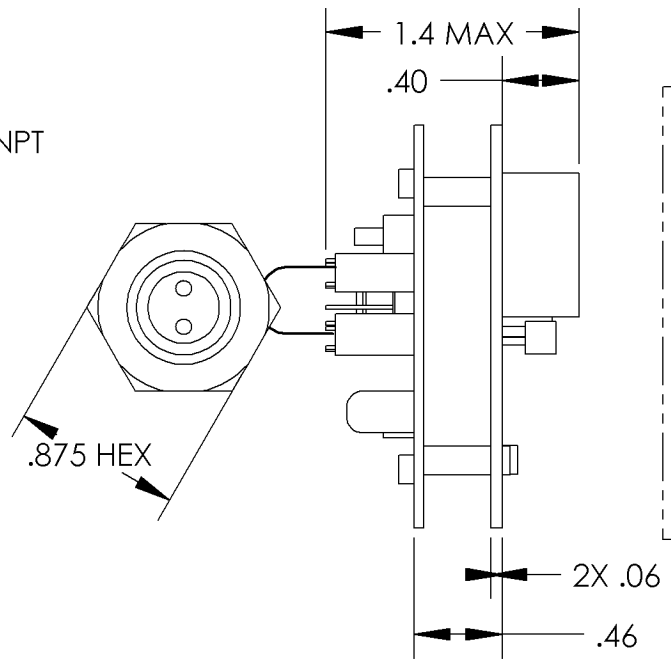
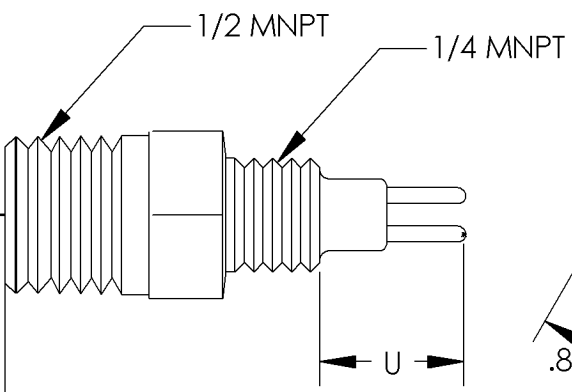
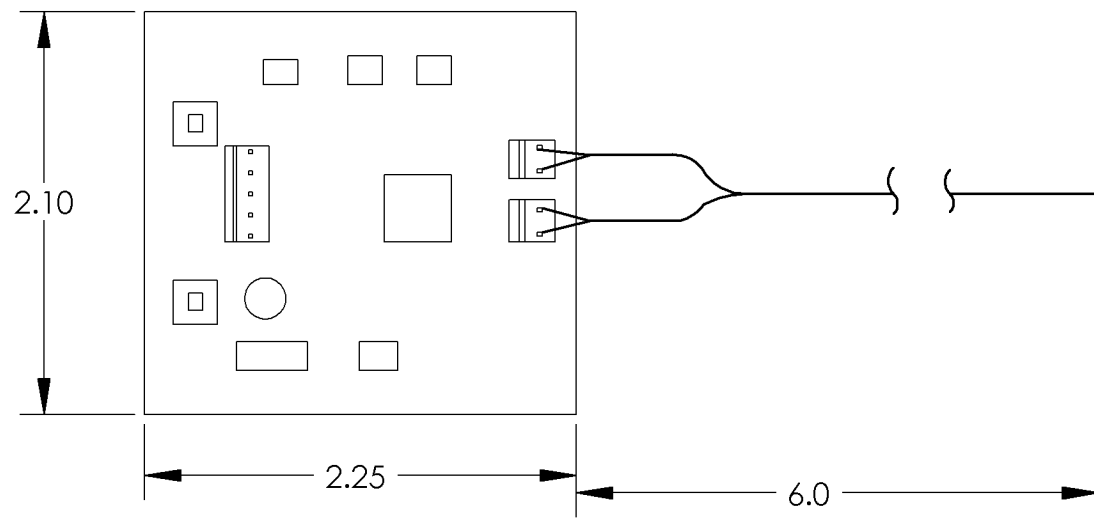
2

1

NOTICE OF PROPRIETARY RIGHTS

This document contains confidential technical data, including trade secrets and proprietary information which are the property of Fluid Components Intl (FCI). Disclosure of this data to you is expressly conditioned upon your assent that its use is limited to use within your company only (and does not include manufacture or processing uses). Any other use is strictly prohibited without the prior written consent of FCI.

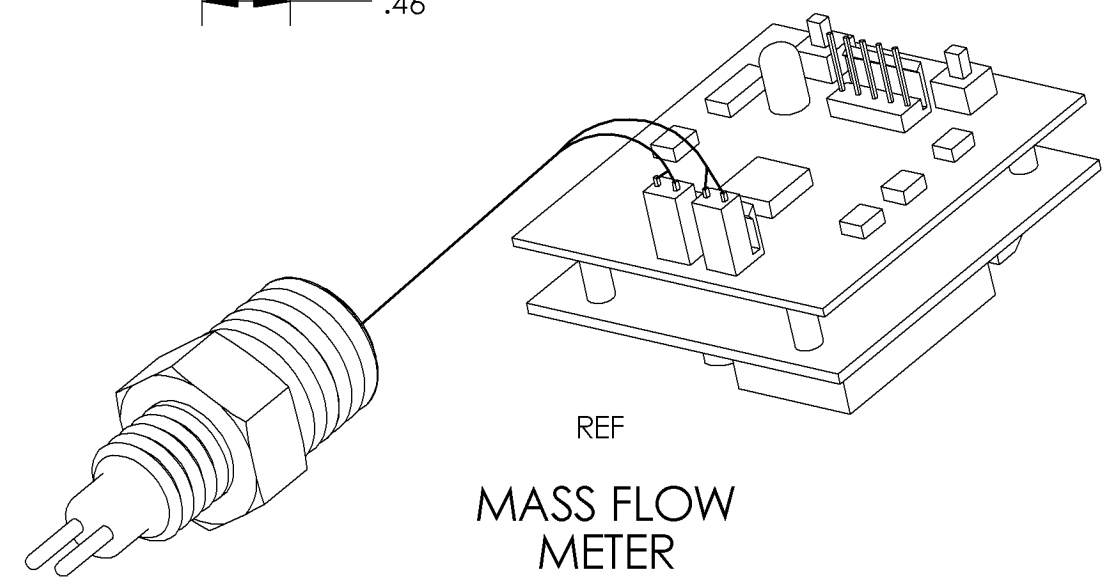
REVISIONS				
ZONE	REV	DESCRIPTION	DATE	APPROVED



ELECTRICAL CONNECTOR
(LOCATED ON CIRCUIT BOARD)

J1-1 -V in (POWER GROUND)
 J1-2 +V in (18-36 VDC, 3 WATTS MAX)
 J1-3 SPARE
 J1-4 4 - 20 mA (750 OHMS MAX LOAD)
 J1-5 RETURN (4-20 Vout RETURN)
 J1-6 VOLTAGE OUTPUT (0-10 VDC)

CONNECTOR PIN OUT



SCALE: NONE

- 6. TEMPERATURE RANGE:
 ELECTRONICS: 0 TO +140°F (-18 TO 60°C)
 PROCESS: 212 TO +248°F (100 TO 140°C)
 - 5. FLOW RATE: 8.8 TO 67.21 GRAMS/SEC RANGE. AIR FLOW
 SPAN ADJUSTABLE DOWN TO 25% OF CALIBRATED RANGE
 ZERO ADJUSTABLE UP TO 50% OF SPAN RANGE
 - 4. ELECTRICAL DATA:
 POWER REQUIREMENTS: 18 TO 36 VDC
 OUTPUT: 4-20 mA (PROPORTIONAL TO MASS FLOW)
 - 3. PRESSURE, SAFETY PROOF: 365 PSIG [2500 KPag].
 - 2. MAKE FROM 018070-01-01-0166
 - 1. MATERIAL:
 ELEMENT: 300 SERIES STAINLESS STEEL.
 HOUSING: DIECAST ALUMINUM, COLOR, GRAY.
- NOTES: UNLESS OTHERWISE SPECIFIED**

STANDARD SIZES (REF)		
FCI PART NO.	INSERTION 'U' LENGTH	NOMINAL PIPE DIAM
018070-0167	1.67	1.5"

ENVELOPE DRAWING

TOP ASSY		OEM		UNLESS OTHERWISE SPECIFIED DIMENSIONS ARE IN INCHES TOLERANCES DECIMALS ANGULAR .X ±.1 ±1/2° .XX ±.03 .XXX ±.010	CONTRACT NO.				FCI [®] FLUID COMPONENTS INTL a limited liability company SAN MARCOS, CA 92069				
NEXT ASSY		USED ON			APPROVALS	DATE	APPROVALS	DATE	TITLE				
APPLICATION				MATERIAL	CONTRACT				DRAWN				
THIRD ANGLE PROJECTION					QUAL				Don L 11/26/02				
				MACH SURFACE FINISH: 125 RMS	MACH RAD: .030	MFG				ENGR			
				DO NOT SCALE DRAWING				QA				CHECK	
PARTS TO BE FREE OF BURRS & SHARP EDGES				RELEASE DATE:				SCALE 1/1		SHEET 1 OF 1		SIZE B CAGE CODE 64818 DWG NO. ILLUSTRATION 5 REV 0	

4

3

2

1