

NOTICE OF PROPRIETARY RIGHTS

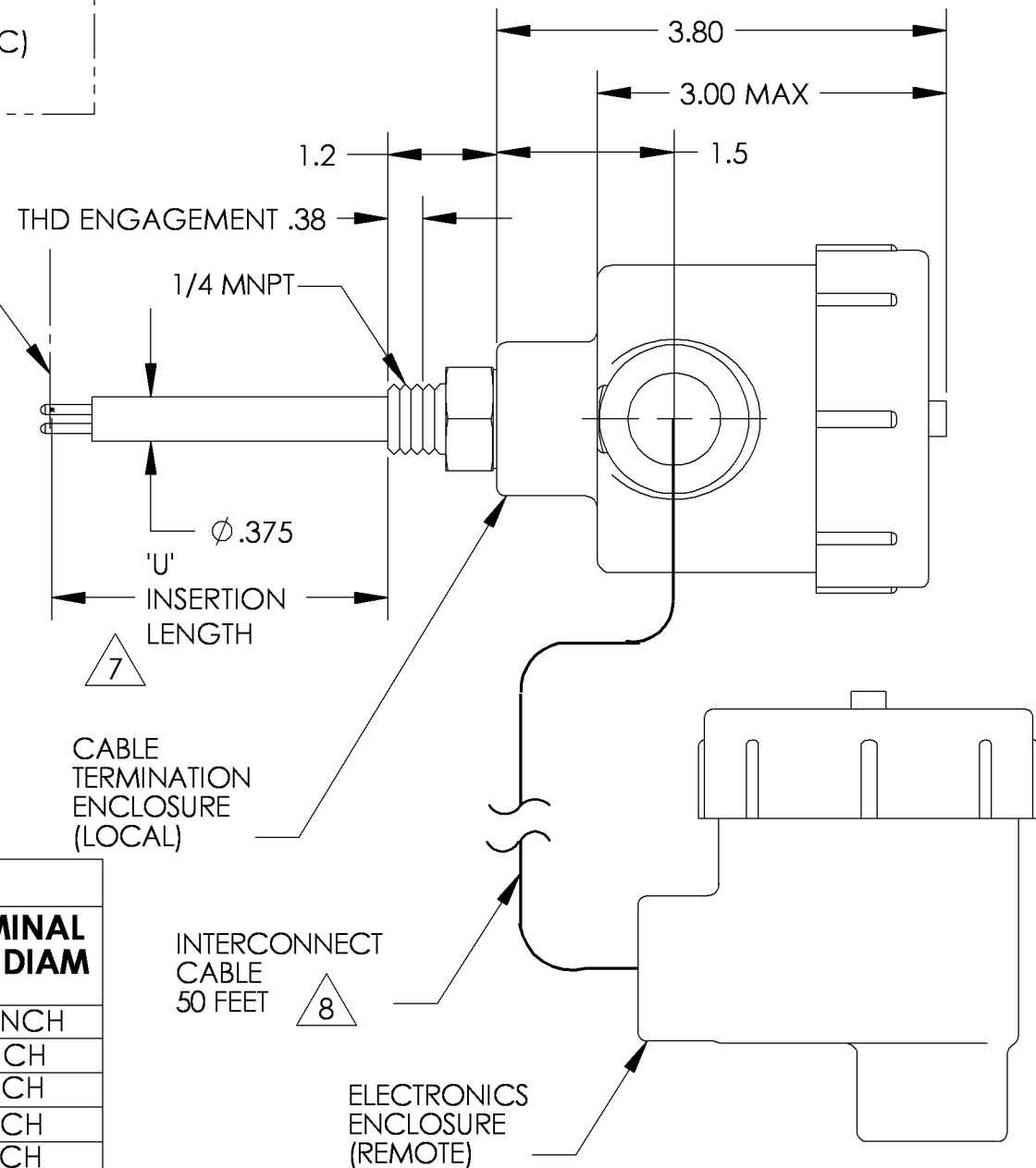
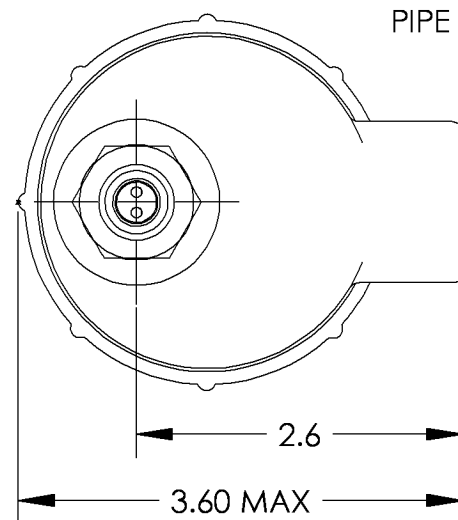
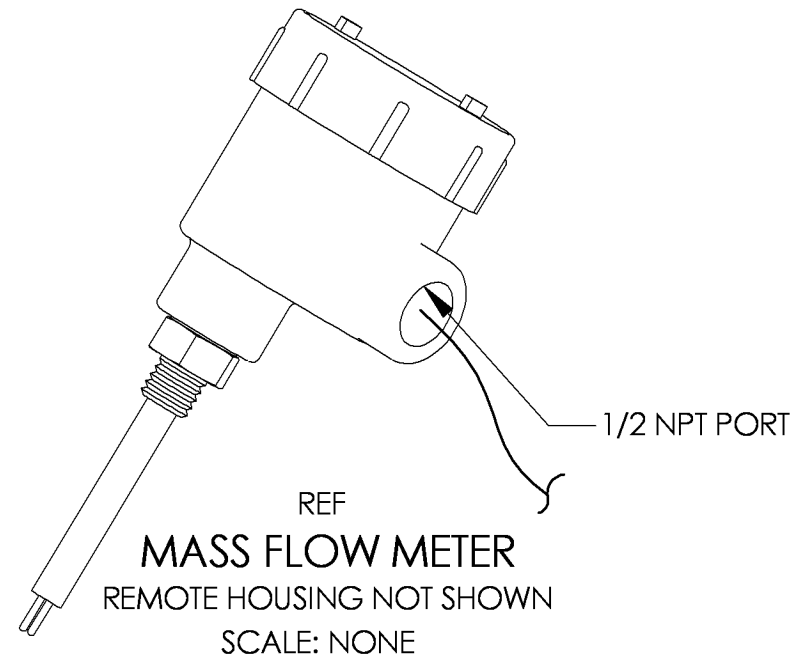
This document contains confidential technical data, including trade secrets and proprietary information which are the property of Fluid Components Intl (FCI). Disclosure of this data to you is expressly conditioned upon your assent that its use is limited to use within your company only (and does not include manufacture or processing uses). Any other use is strictly prohibited without the prior written consent of FCI.

**ELECTRICAL CONNECTOR
(LOCATED ON CIRCUIT BOARD)**

- J1-1 -V in (POWER GROUND)
- J1-2 +V in (18-36 VDC, 3 WATTS MAX)
- J1-3 SPARE
- J1-4 4 - 20 mA (750 OHMS MAX LOAD)
- J1-5 RETURN (4-20 Vout RETURN)
- J1-6 VOLTAGE OUTPUT (0-10 VDC)

CONNECTOR PIN OUT

REVISIONS				
ZONE	REV	DESCRIPTION	DATE	APPROVED



8 GROUNDED CONDUIT RECOMMENDED FOR INSTRUMENT INTERCONNECTING CABLE.

7 INSERTION PROBE LENGTHS HAVE BEEN DETERMINED BASED ON MATING WITH 1/4" 3000 LB THREDOLET. (THREDOLET HEIGHT 0.75 INCH)

6. TEMPERATURE RANGE:
ELECTRONICS: -40 TO +140 °F (-40 TO 60 °C)
PROCESS: -40 TO +250 °F (-40 TO 121 °C)

5. FLOW RATE: 1 TO 600 SFPS RANGE. CUSTOMER SPECIFIED ZERO & SPAN (MINIMUM 10:1, MAXIMUM 100:1 TURNDOWN) FOR USE IN PROPANE OR AMMONIA

4. ELECTRICAL DATA:
POWER REQUIREMENTS: 18 TO 36 VDC
OUTPUT: 4-20 mA (PROPORTIONAL TO MASS FLOW)

3. PRESSURE, SAFETY PROOF: 500 PSIG.

2. MAKE FROM 018XXX-01-01-XXXX

1. MATERIAL:
ELEMENT: 300 SERIES STAINLESS STEEL.
HOUSING: DIECAST ALUMINUM, COLOR, GRAY.

NOTES: UNLESS OTHERWISE SPECIFIED

STANDARD SIZES (REF)

FCI PART NO.	INSERTION 'U' LENGTH	NOMINAL PIPE DIAM
018093-75	.98	3/4 INCH
018093-01	1.11	1 INCH
018093-02	1.67	2 INCH
018093-03	2.23	3 INCH
018093-04	2.74	4 INCH
018093-06	3.80	6 INCH

TOP ASSY		OEM		UNLESS OTHERWISE SPECIFIED DIMENSIONS ARE IN INCHES TOLERANCES DECIMALS ANGULAR .X ±.1 ±1/2° .XX ±.03 .XXX ±.010	CONTRACT NO.				FCI [®] FLUID COMPONENTS INTL a limited liability company SAN MARCOS, CA 92069				
NEXT ASSY		USED ON			APPROVALS		DATE		APPROVALS		DATE		TITLE
APPLICATION				MATERIAL		CONTRACT		DRAWN		7/10/02		GAS MASS FLOW METER	
THIRD ANGLE PROJECTION				NOTED		QUAL		CHECK				SIZE CAGE CODE DWG NO. REV B 64818 ILLUSTRATION 8 1	
MACH SURFACE FINISH: 125 RMS				MACH RAD: .030		MFG		ENGR				RELEASE DATE: SCALE 1/1 SHEET 1 OF 1	
DO NOT SCALE DRAWING				PARTS TO BE FREE OF BURRS & SHARP EDGES		QA							

ENVELOPE DRAWING