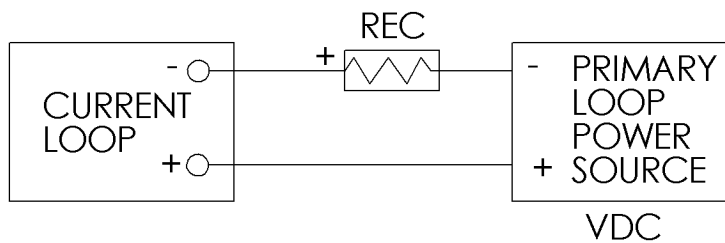


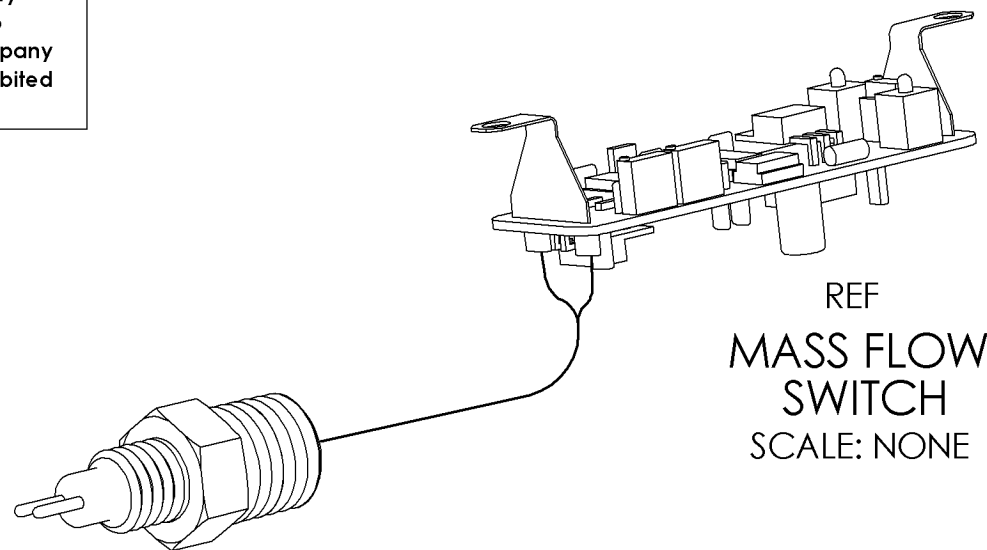
NOTICE OF PROPRIETARY RIGHTS

This document contains confidential technical data, including trade secrets and proprietary information which are the property of Fluid Components Intl (FCI). Disclosure of this data to you is expressly conditioned upon your assent that its use is limited to use within your company only (and does not include manufacture or processing uses). Any other use is strictly prohibited without the prior written consent of FCI.

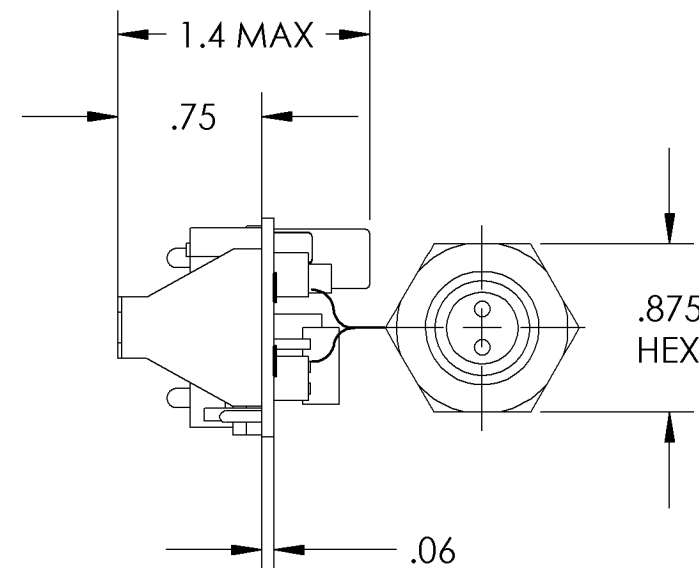
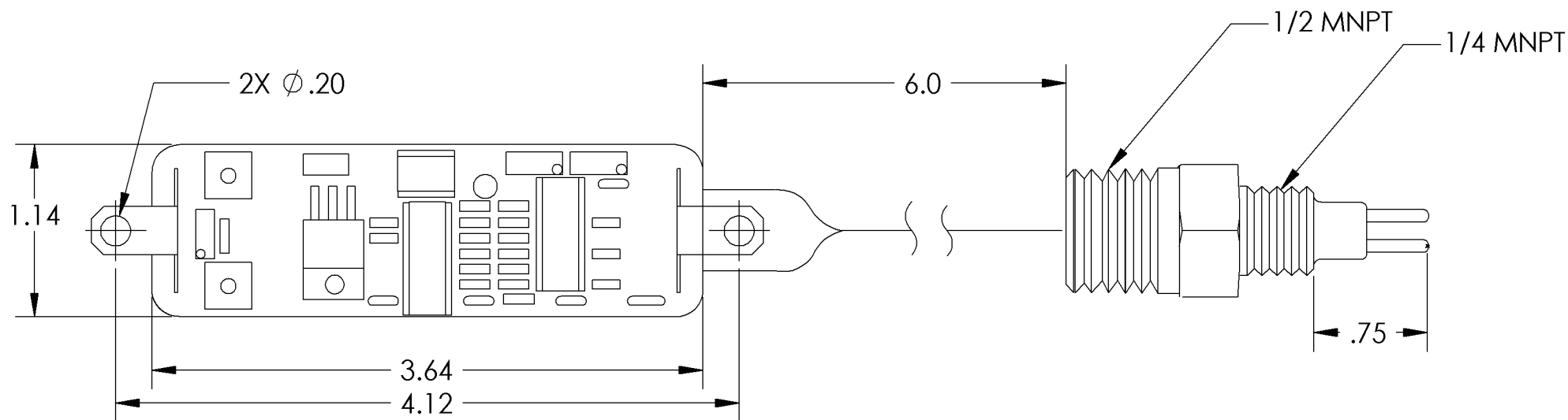
REVISIONS				
ZONE	REV	DESCRIPTION	DATE	APPROVED



REC RESISTANCE SHOULD NOT EXCEED 250 OHMS



REF
MASS FLOW SWITCH
SCALE: NONE



- 6. TEMPERATURE RANGE:
ELECTRONICS: -40 TO +140 °F (-40 TO 60 °C)
PROCESS: -40 TO +250 °F (-40 TO 121 °C)
 - 5. SIGNAL OUTPUT:
NORMAL OUTPUT: 14mA
ALARM CONDITION: 18 mA
(ALARM CONDITION REVERSIBLE WITH JUMPER)
 - 4. ELECTRICAL DATA:
2 WIRE LOOP POWERED, 24 VDC
 - 3. PRESSURE, SAFETY PROOF (ELEMENT): 500 PSIG.
 - 2. MAKE FROM FCI PN: TBD
 - 1. MATERIAL:
ELEMENT: 300 SERIES STAINLESS STEEL.
- NOTES: UNLESS OTHERWISE SPECIFIED**

-01 CONFIG

ENVELOPE DRAWING

TOP ASSY		OEM		UNLESS OTHERWISE SPECIFIED DIMENSIONS ARE IN INCHES				CONTRACT NO.				FCI ® FLUID COMPONENTS INTL <i>a limited liability company</i> SAN MARCOS, CA 92069			
NEXT ASSY		USED ON		TOLERANCES				APPROVALS		DATE					
APPLICATION				MATERIAL				CONTRACT		DRAWN		CHECKED		TITLE	
THIRD ANGLE PROJECTION				NOTED				QUAL		SCHARF		ENGR		MASS FLOW SWITCH, 2-WIRE, LOOP POWERED	
				MACH SURFACE FINISH: 125 RMS MACH RAD: .030 DO NOT SCALE DRAWING PARTS TO BE FREE OF BURRS & SHARP EDGES				MFG		ENGR		SIZE B CAGE CODE 64818 DWG NO. ILLUSTRATION 9 REV 1		SCALE 1/1 SHEET 1 OF 1	
								QA				RELEASE DATE:			